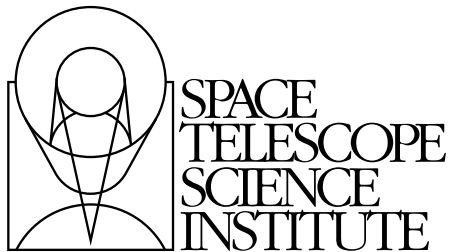


---

October 2005

# Hubble Space Telescope Primer for Cycle 16

## An Introduction to HST for Phase I Proposers



Space Telescope Science Institute  
3700 San Martin Drive  
Baltimore, Maryland 21218  
[help@stsci.edu](mailto:help@stsci.edu)

## How to Get Started

If you are interested in submitting an HST proposal, then proceed as follows:

- Visit the Cycle 16 Announcement Web page:

<http://www.stsci.edu/hst/proposing>

Then continue by following the procedure outlined in the Phase I Roadmap available at:

<http://apst.stsci.edu/apt/external/help/roadmap1.html>

More technical documentation, such as that provided in the Instrument Handbooks, can be accessed from:

[http://www.stsci.edu/hst/HST\\_overview/documents](http://www.stsci.edu/hst/HST_overview/documents)

## Where to Get Help

- Visit STScI's Web site at: <http://www.stsci.edu>
- Contact the STScI Help Desk. Either send e-mail to [help@stsci.edu](mailto:help@stsci.edu) or call 1-800-544-8125; from outside the United States and Canada, call [1] 410-338-1082.

The HST Primer for Cycle 16 was edited by

Diane Karakla, Editor,

Susan Rose, Technical Editor

based in part on versions from previous cycles with contributions from many others both at STScI, and at other institutions. The editors are grateful for their assistance.

Send comments or corrections to:  
Space Telescope Science Institute  
3700 San Martin Drive  
Baltimore, Maryland 21218  
E-mail:[help@stsci.edu](mailto:help@stsci.edu)

# Table of Contents

<b>Chapter 1: Introduction</b> .....	1
1.1 About this Document.....	1
1.2 Resources, Documentation and Tools.....	2
1.2.1 Phase I “Roadmap” .....	2
1.2.2 Cycle 16 Announcement Web Page.....	2
1.2.3 Cycle 16 Call for Proposals .....	2
1.2.4 Two-Gyro Mode.....	2
1.2.5 Instrument Handbooks .....	3
1.2.6 The Astronomer’s Proposal Tool (APT).....	3
1.2.7 Visual Target Tuner (VTT) and Aladin.....	3
1.2.8 Exposure Time Calculators (ETCs) .....	3
1.2.9 HST Data Archive .....	4
1.2.10 Data Reduction and Calibration.....	4
1.3 STScI Help Desk .....	4
1.4 Organization of this Document .....	5
<b>Chapter 2: System Overview</b> .....	7
2.1 Hubble Space Telescope Operations .....	7
2.1.1 Servicing Mission SM1 .....	8
2.1.2 Servicing Mission SM2 .....	8
2.1.3 Servicing Missions SM3A and SM3B .....	8
2.1.4 Servicing Mission SM3A.....	9
2.1.5 Servicing Mission SM3B.....	9
2.1.6 Loss of STIS .....	9
2.1.7 Two Gyro Operations.....	10
2.1.8 Servicing Mission SM4 .....	10
2.2 Telescope Design and Field of View .....	10
2.3 Orbital Constraints .....	13
2.3.1 Continuous Viewing Zone (CVZ) .....	13
2.3.2 South Atlantic Anomaly (SAA).....	14
2.3.3 Predicted HST Position .....	15

2.4 Pointing Constraints .....	15
2.5 Orientation and Roll Constraints .....	16
2.6 Data Storage and Transmission .....	17
2.6.1 Real-time Contact Requests .....	17
2.6.2 Onboard Data Storage .....	17
<b>Chapter 3: Telescope Performance .....</b>	<b>19</b>
3.1 Optical Performance .....	19
3.2 HST Guiding Performance .....	20
3.2.1 FGS - Dual Guide Star Acquisitions .....	20
3.2.2 FGS - Single Guide Star Acquisitions .....	20
3.3 HST Observing Efficiency .....	21
<b>Chapter 4: Cycle 16 Scientific Instruments .....</b>	<b>23</b>
4.1 Overview .....	24
4.1.1 Instrument Comparison .....	26
4.1.2 Future Instruments .....	28
4.2 Advanced Camera for Surveys (ACS) .....	29
4.3 Fine Guidance Sensor (FGS1R) .....	30
4.4 Near Infrared Camera and Multi-Object Spectrometer (NICMOS) .....	31
4.4.1 Camera Focusing .....	32
4.4.2 Dark Levels .....	32
4.4.3 South Atlantic Anomaly (SAA) Cosmic Ray Persistence .....	32
4.5 Wide Field and Planetary Camera 2 (WFPC2) .....	33
<b>Chapter 5: Observing Considerations .....</b>	<b>35</b>
5.1 Bright-Object Constraints .....	35
5.1.1 NICMOS & WFPC2 .....	35
5.1.2 ACS .....	36
5.1.3 FGS .....	37
5.2 Target Acquisitions .....	37
5.2.1 Target Acquisition without the Ground System .....	37
5.2.2 Target Acquisition with the Ground System .....	37
5.3 Solar System Targets .....	38
5.4 Offsets and Patterns .....	39

<b>Chapter 6: Orbit Calculation for a Phase I Proposal</b> .....	41
6.1 Overview of an Observing Program .....	41
6.1.1 General Observer (GO) Programs.....	41
6.1.2 Snapshot Programs.....	43
6.2 HST Visits .....	43
6.2.1 Defining New Visits and Optimizing Scheduling Efficiency and Flexibility .....	43
6.2.2 Instrument Specific Limitations on Visits .....	44
6.3 The Visibility Period .....	45
6.4 Acquisition Times and Instrument Overheads .....	46
6.4.1 Guide Star Acquisition Times .....	47
6.4.2 Target Acquisition Times .....	47
6.4.3 Instrument Overhead Times .....	48
6.4.4 Telescope Repositioning Overhead Times.....	52
6.5 Constructing Your Program.....	53
<b>Chapter 7: Data Processing and the HST Data Archive</b> .....	55
7.1 Routine Science Data Processing .....	55
7.1.1 Space Telescope Science Data Analysis System (STSDAS).....	56
7.2 The HST Data Archive.....	56
7.2.1 StarView and Web Access to the HST Data Archive.....	57
<b>Appendix A: Orbit Calculation Examples</b> .....	59
A.1 ACS .....	59
A.2 FGS .....	61
A.3 NICMOS.....	63
A.4 WFPC2.....	64
<b>Appendix B: Legacy Instruments</b> .....	67
B.1 Space Telescope Imaging Spectrograph (STIS) .....	67
B.2 Faint Object Camera (FOC).....	68
B.3 Faint Object Spectrograph (FOS).....	69

B.4 Goddard High Resolution Spectrograph (GHRS) 70  
B.5 High Speed Photometer (HSP) ..... 71  
B.6 Wide Field and Planetary Camera 1 (WF/PC)..... 71

**Appendix C: Glossary of Acronyms  
and Abbreviations** ..... 73

**Appendix D: Internet Links** ..... 77

# Introduction

## In this chapter...

1.1 About this Document / 1
1.2 Resources, Documentation and Tools / 2
1.3 STScI Help Desk / 4
1.4 Organization of this Document / 5

---

## 1.1 About this Document

This Primer provides an introductory overview of the Hubble Space Telescope (HST) and contains basic information on the telescope's operations and the unique capabilities of its instruments. While the Primer is of interest to anyone who wants to learn about HST, it is intended to be a companion document to the Call for Proposals (see Section 1.2). The Call for Proposals discusses the policies and procedures for submitting a Phase I proposal for HST observing or Archival Research. Technical aspects of proposal preparation are presented in this Primer, and a thorough understanding of the material presented here is essential for the preparation of a competitive proposal. Also, this Primer explains how to calculate the appropriate number of orbits for your Phase I observing time requests.

The Primer is only available electronically in HTML and PDF formats. The HTML version is optimized for on-line browsing and contains many links to related or more detailed information, both within the document itself and within other STScI documents. You are therefore encouraged to use the HTML version electronically. Nonetheless, some people may prefer to read

a hardcopy and, with this in mind, the PDF version was optimized for printing.



---

*In a hardcopy printout of the PDF version, any links to information on the Internet will appear as underlined text. You may look up the Internet address of the corresponding link in Appendix D.*

---

---

## 1.2 Resources, Documentation and Tools

### 1.2.1 Phase I “Roadmap”

The [Phase I Proposal Roadmap](#) is a high level step-by-step guide to writing a Phase I Proposal. Links to the appropriate section of the various documents (Call for Proposals, Primer, etc.) are given for each step.

### 1.2.2 Cycle 16 Announcement Web Page

The [Cycle 16 Announcement Web page](#) contains links to information and documentation (including this Primer) that will be of use to you in the preparation of an HST proposal. It also contains any late-breaking updates on the Phase I process and answers to frequently asked questions.

### 1.2.3 Cycle 16 Call for Proposals

The Call for Proposals discusses the policies and procedures for submitting a Phase I proposal for HST observing or archival research. It also provides a summary of the proposal process from proposal submission to execution of the observations. The Call for Proposals is accessible from the [Cycle 16 Announcement Web page](#).

### 1.2.4 Two-Gyro Mode

The [Two-Gyro Science Mode Web Page](#) provides information and tools on schedulability issues for two-gyro operations.



## 1.2.5 Instrument Handbooks

The Instrument Handbooks are the primary source of information for the HST instruments. You should consult them for any information that goes beyond what is presented in this Primer. Please use current versions when preparing your Phase I proposal. They are available for all instruments, including former instruments that may be of interest for archival research. The Handbooks are distributed electronically and may be accessed from the [HST Instrument Handbooks Web page](#). This page also provides links to more detailed technical information such as that provided in Instrument Science Reports.

## 1.2.6 The Astronomer's Proposal Tool (APT)

The Astronomers Proposal Tool (APT) was introduced in Cycle 12 as the interface for all Phase I and Phase II proposal submissions for HST. The Cycle 16 version of APT has some minor bug fixes and enhancements included, but is basically the same system that was used in Cycle 15. See the What's New button in APT for details on the changes. The [APT Web page](#) contains information on the installation and use of APT.

## 1.2.7 Visual Target Tuner (VTT) and Aladin

The Visual Target Tuner (VTT), used to preview HST observations against sky images, has been replaced by a new tool based on the [Aladin Sky Atlas](#) interface. This change gives us more options for future enhancements, and brings a variety of benefits to users including access to a wide variety of images and catalogs, as well as more capabilities for displaying and manipulating images. Detailed information about the new Aladin based tool can be found on the [APT Web page](#).

## 1.2.8 Exposure Time Calculators (ETCs)

STScI provides Exposure Time Calculators (ETCs) for each of the HST instruments. Please use these electronic tools to estimate how long you need to integrate to achieve the signal-to-noise ratio required for your project. The ETCs will also issue warnings about target count rates that exceed linearity and safety limits. Exposure time calculators are available to calculate exposure times for two-gyro observations. The ETCs can be accessed from the individual instrument Web pages which, in turn, are accessible from the [HST Instruments Web page](#).

### 1.2.9 HST Data Archive

The HST Data Archive (see the [HST Data Handbook](#)) forms a part of the Multimission Archive at STScI (MAST). The HST Data Archive contains all the data taken by HST. Completed HST observations from both GO and GTO programs are available to the community upon the expiration of their proprietary periods. Observations taken under the Treasury (see [Section 3.2.5 of the Call for Proposals](#)) and GO pure parallel (see [Section 4.2.2 of the Call for Proposals](#)) programs carry no proprietary period.

The [MAST Web page](#) provides an overview of the HST Data Archive as well as the procedures for retrieving archival data (see also Section 7.2). A copy of the HST Data Archive is maintained at the [Space Telescope - European Coordinating Facility](#) (ST-ECF) in Garching to which European requests should normally be addressed. The [Canadian Astronomy Data Centre](#) also maintains a copy of public HST science data (only) and is the preferred source for Canadian astronomers.

### 1.2.10 Data Reduction and Calibration

The [HST Data Handbook](#) describes the data produced by the instruments. The [Space Telescope Science Data Analysis Software \(STSDAS\) Web page](#) has links to the software that is used to calibrate and analyze HST data, and to documentation on its use. See Section 7.1 for details.

---

## 1.3 STScI Help Desk

If this HST Primer and the materials referenced above do not answer your questions, or if you have trouble accessing or printing Web documents, then contact the Help Desk. You may do this in either of two ways:

- Send e-mail to [help@stsci.edu](mailto:help@stsci.edu)
- Call 1-800-544-8125 or, from outside the United States and Canada, [1] 410-338-1082. ■

---

## 1.4 Organization of this Document

Chapter 2 provides a system overview of HST. Chapter 3 discusses the performance of the telescope. Chapter 4 provides information on the Scientific Instruments available for use in Cycle 16. Chapter 5 discusses a variety of issues relevant to the preparation and execution of HST observations such as Bright Object constraints. Chapter 6 explains how to calculate the appropriate orbit resources to request when submitting a Phase I observing proposal, and Chapter 7 discusses data processing and the HST Data Archive.

A variety of additional information is provided in the Appendices including examples of Phase I orbit calculations for each of the Cycle 16 instruments (Appendix A), descriptions of former HST instruments that may be of interest for Archival Research (Appendix B), a glossary of acronyms and abbreviations (Appendix C) and a listing of internet links used in the document (Appendix D).



# System Overview

## In this chapter...

2.1 Hubble Space Telescope Operations / 7
2.2 Telescope Design and Field of View / 10
2.3 Orbital Constraints / 13
2.4 Pointing Constraints / 15
2.5 Orientation and Roll Constraints. / 16
2.6 Data Storage and Transmission / 17

---

## 2.1 Hubble Space Telescope Operations

The Hubble Space Telescope is a cooperative project of the National Aeronautics and Space Administration (NASA) and the European Space Agency (ESA) to operate a long-lived space-based observatory for the benefit of the international astronomical community. HST was first dreamt of in the 1940s and designed and built in the 1970s and 80s. In April 1990 the Space Shuttle Discovery deployed it in low-Earth orbit (~ 600 kilometers). The initial complement of Scientific Instruments (SIs) was:

- The Fine Guidance Sensors (FGSs).
- The Faint Object Camera (FOC).
- The Faint Object Spectrograph (FOS).
- The Goddard High Resolution Spectrograph (GHRS).
- The High Speed Photometer (HSP).
- The Wide Field and Planetary Camera (WF/PC).

Soon after deployment, it was discovered that the primary mirror suffers from spherical aberration, which limited the quality of HST data obtained in the first few years of operation.

### 2.1.1 Servicing Mission SM1

During servicing mission SM1 in December 1993, Space Shuttle astronauts successfully refurbished HST. They replaced the HSP with COSTAR, a corrective optics package. COSTAR's reflecting optics were deployed into the optical paths of the FOC, FOS, and GHRS, which removed the effects of the primary mirror's spherical aberration. The performance of the FGSs was unaffected by COSTAR. The WF/PC was replaced by a new instrument:

- The Wide Field and Planetary Camera 2 (WFPC2).

The WFPC2 contains its own internal optics to correct the spherical aberration of the primary mirror.

The astronauts also installed new solar arrays. This resolved the problem of thermal vibrations which affected the old arrays during day/night transitions which, in turn, degraded the telescope's pointing performance.

### 2.1.2 Servicing Mission SM2

During servicing mission SM2 in February 1997, astronauts replaced the FOS and the GHRS with two new instruments:

- The Near Infrared Camera and Multi-Object Spectrometer (NICMOS).
- The Space Telescope Imaging Spectrograph (STIS).

Also, FGS-1 was replaced with an enhanced FGS, called FGS1R. FGS1R has an adjustable fold flat mirror which is commandable from the ground. This enables realignment in the FGS optical path to lessen the effects of the primary mirror's spherical aberration. As a result, the astrometric performance of FGS1R significantly exceeds that of the original FGS.

### 2.1.3 Servicing Missions SM3A and SM3B

HST has six rate-sensing gyroscopes on board. In the years after SM2, gyroscopes failed at a higher-than-expected rate, ultimately leading to a halt of HST observing in November 1999. In anticipation of this event servicing mission SM3, which had been in planning for several years, was split into two separate missions: SM3A and SM3B.

### 2.1.4 Servicing Mission SM3A

In December 1999 Space Shuttle astronauts lifted off for servicing mission SM3A. Six new gyroscopes were successfully installed, which allowed HST to resume normal operations.

Along with the gyro replacements, the HST Project used this “unplanned” mission to make other planned upgrades and refurbishments:

1. Voltage/temperature Improvement Kits (VIKs) were installed to help regulate battery recharge voltages and temperatures.
2. The original DF224 spacecraft computer was replaced by a 486 upgrade, which provides a significant improvement in onboard computing power.
3. The FGS2 was replaced by a refurbished fine guidance sensor FGS2R to enhance the performance of the pointing and control system (see Section 2.1.2).
4. The second tape recorder was replaced by a second Solid State Recorder (SSR), and a new transmitter was installed to replace one that had failed.

All of the upgrades underwent successful in-orbit verification and calibration and the observatory’s functionality was completely restored according to plan.

### 2.1.5 Servicing Mission SM3B

Servicing Mission 3B was carried out the first ten days of March 2002. During this mission, astronauts replaced the FOC with a new instrument:

- The Advanced Camera for Surveys (ACS).

Also, the astronauts installed the NICMOS Cooling System (NCS) to allow further use of NICMOS, which had exhausted its cryogen in January 1999. Installation of new solar arrays, electrical upgrades to the spacecraft’s power control unit, along with various other engineering upgrades including an orbit reboost, were performed. Since the mission, the ACS and the NICMOS instruments, as well as STIS and WFPC2, have been fully commissioned for science.

### 2.1.6 Loss of STIS

The Space Telescope Imaging Spectrograph (STIS) failed in August of 2004. STIS will not be available for scheduling in Cycle 16. Astronomers are encouraged to use STIS data for Archival Research (see Section B.1).

### 2.1.7 Two Gyro Operations

In August of 2005, HST was switched to two gyro operations in order to conserve gyros and extend the lifetime of the telescope. There is some loss of scheduling flexibility and efficiency in two gyro mode, but this is compensated by the extended overall lifetime. On-orbit tests have shown that HST and instrument performance in two gyro mode is nearly indistinguishable from the performance in three gyro mode. See the [HST Two-Gyro Handbook](#) for more detailed information. In Cycle 16, all GO observations will be taken in two gyro mode.

### 2.1.8 Servicing Mission SM4

NASA is in the early stages of preparing for Servicing Mission 4, subject to final authorization by the NASA Administrator. SM4 is currently scheduled for no earlier than December 2007, near the mid-point of a normal cycle. Since the exact date remains uncertain, and may slide to early 2008, Cycle 16 will be truncated at SM4. Cycle 16 will therefore have the same instruments as Cycle 15, and all observations will be made in Two-Gyro mode. Assuming SM4 is successful, the new instruments, COS and WFC3, will be available in Cycle 17, as well as, possibly, a repaired STIS instrument; the WFPC2 will be retired at that time.

---

## 2.2 Telescope Design and Field of View

The design and layout of HST are shown schematically in Figure 2.1. The telescope receives electrical power from two solar arrays, which are turned (and the spacecraft rolled about its optical axis) so that the panels face the incident sunlight. Nickel-hydrogen batteries power the telescope during orbital night. Two high-gain antennae provide communications with the ground via the Tracking and Data Relay Satellite System (TDRSS). Power, control, and communications functions are carried out by the Support Systems Module (SSM) that encircles the primary mirror.

The SIs are mounted in bays behind the primary mirror. The WFPC2 occupies one of the radial bays with an attached 45-degree pickoff mirror that allows it to receive the on-axis beam. There are three Fine Guidance Sensors (FGSs) which occupy the other radial bays and receive light 10–14 arcminutes off-axis. Since at most two FGSs are required to guide the telescope, it is possible to conduct astrometric observations with the third FGS. The remaining SIs are mounted in the axial bays and receive images several arcminutes off-axis.



When referring to the HST and its focal plane, we use a coordinate system that is fixed to the telescope and consists of three orthogonal axes: U1, U2 and U3. As shown in Figure 2.1, U1 lies along the optical axis, U2 is parallel to the solar-array rotation axis, and U3 is perpendicular to the solar-array axis. (Note: Some HST documentation uses the alternative V1, V2, V3 coordinate system for which  $V1=U1$ ,  $V2=-U2$  and  $V3=-U3$ .)

Figure 2.1: The Hubble Space Telescope. Major components are labelled, and definitions of the U1,U2,U3 spacecraft axes are indicated.

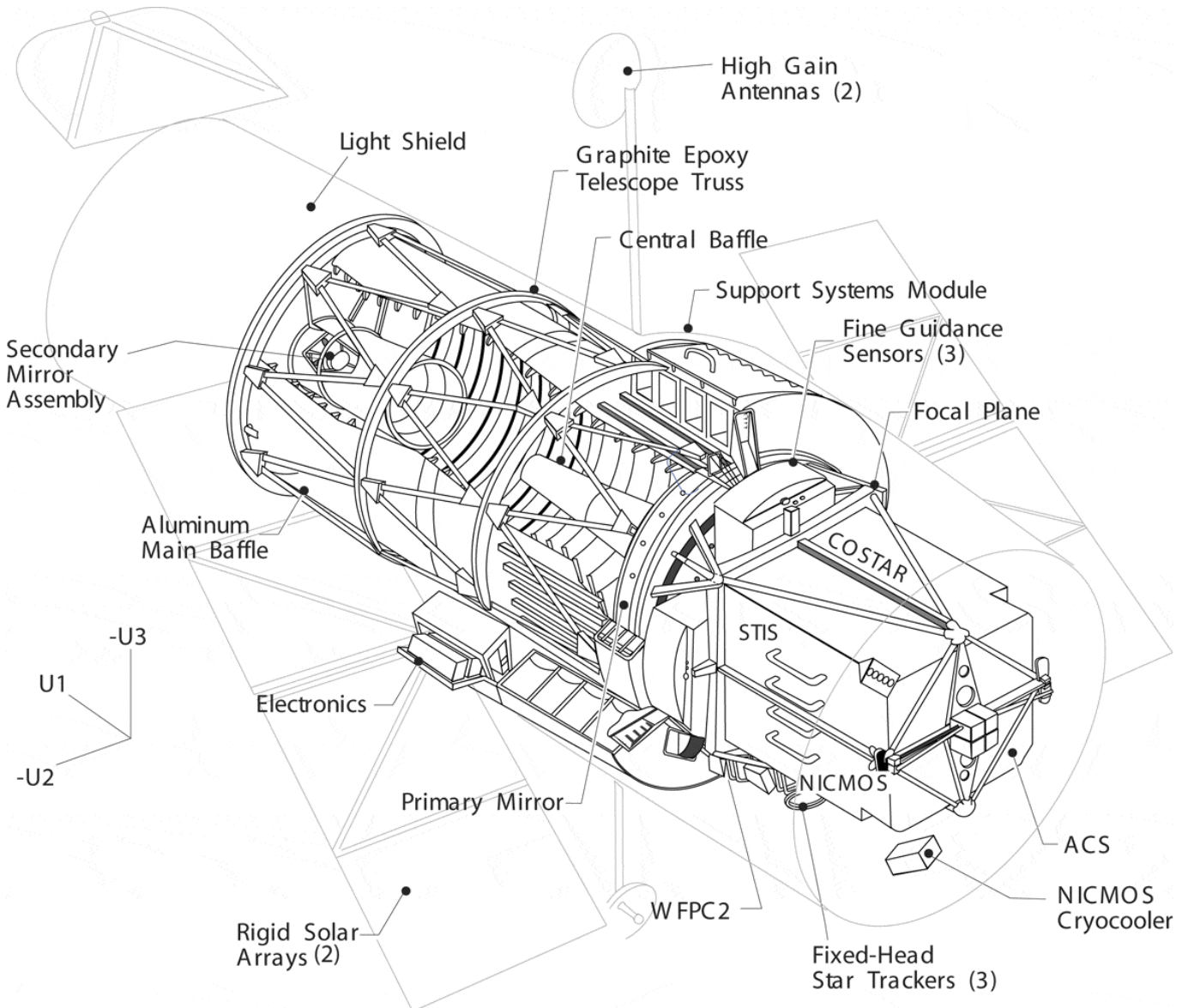


Figure 2.2: The HST field of view with the locations of the SI and the FGS apertures in the (U<sub>2</sub>,U<sub>3</sub>) focal plane. The scale in arcsec is indicated.

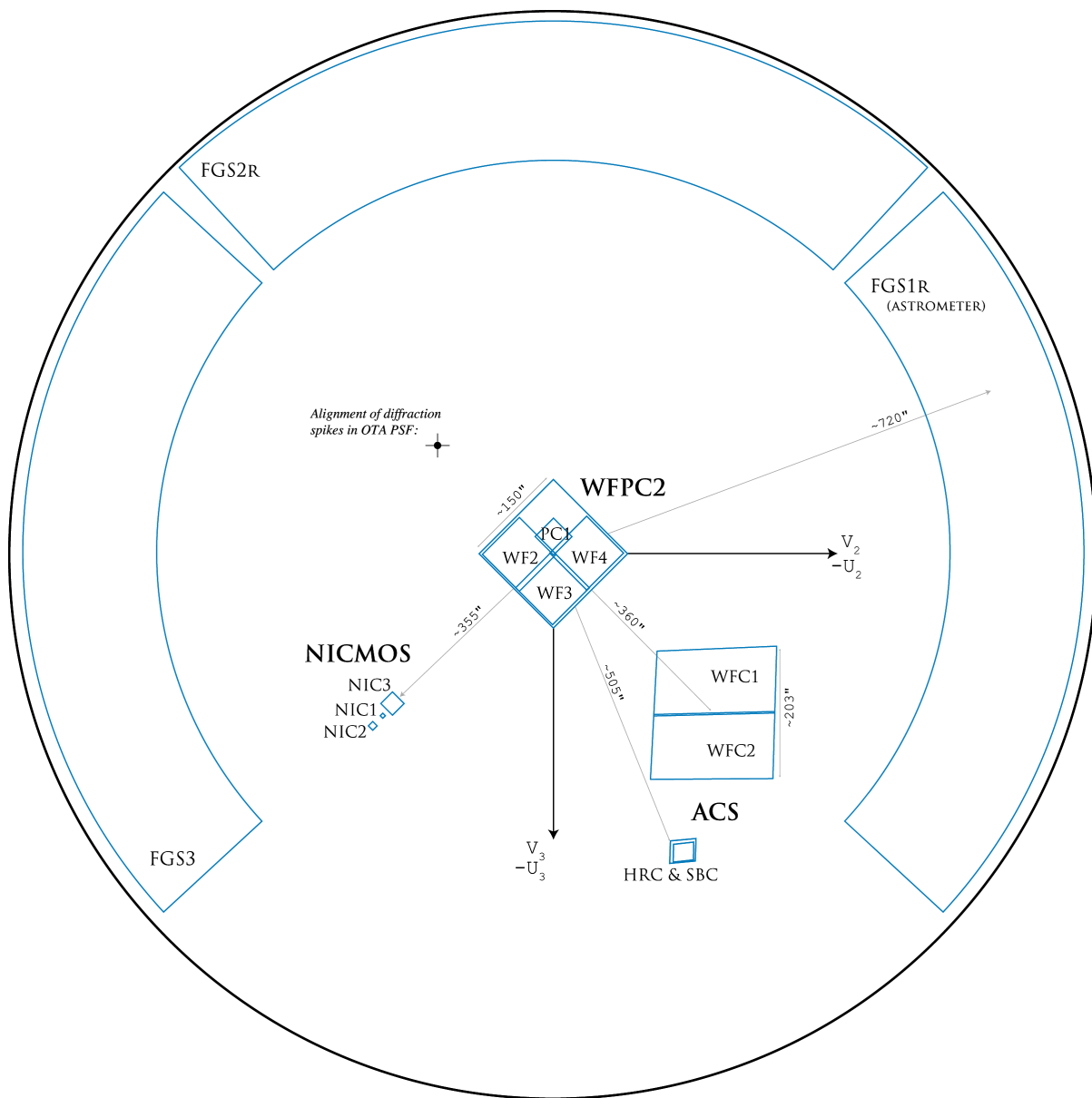


Figure 2.2 shows the layout of the instrument entrance apertures in the telescope focal plane as projected onto the sky.

Table 2.1 lists the rough effective locations of the SI apertures in the U<sub>2</sub>,U<sub>3</sub> coordinate system. Precise values depend on subtleties in aperture definitions and operational modes. The [HST Instrument Handbooks](#) (see Section 1.2) should be consulted for more accurate details of each instrument's aperture locations and characteristics.

Table 2.1: Nominal Effective Relative Aperture Locations

Instrument	Aperture	U2 (arcsec)	U3 (arcsec)
ACS	WFC	-259	-239
	HRC	-206	-472
	SBC	-205	-467
FGS	FGS1R	-722	8
NICMOS	NIC1	294	-288
	NIC2	321	-314
	NIC3 <sup>1</sup>	269	-256
WFPC2	PC	-2	30
	WF2	51	6
	WF3	0	-49
	WF4	-55	6

1. Position shown is for NIC1 and NIC2 compromise PAM location.

## 2.3 Orbital Constraints

HST is in a relatively low orbit, which imposes a number of constraints upon its observations. As seen from HST, most targets are occulted by the Earth for varying lengths of time during each 96-minute orbit. Targets lying in the orbital plane are occulted for the longest interval—about 44 minutes per orbit. These orbital occultations, analogous to the diurnal cycle for ground-based observing, impose the most serious constraint on HST observations. (Note that in practice the amount of available exposure time in an orbit is limited further by Earth-limb avoidance limits, the time required for guide star acquisitions or re-acquisitions, and instrument overheads.)

### 2.3.1 Continuous Viewing Zone (CVZ)

The length of target occultation decreases with increasing angle from the spacecraft orbital plane. Targets lying within 24 degrees of the orbital poles are not geometrically occulted at any time during the HST orbit. This gives rise to so-called Continuous Viewing Zones (CVZs). The actual size of these zones is less than 24 degrees due to the fact that HST cannot observe close to the Earth limb (see Section 2.4).

Since the orbital poles lie 28.5 degrees from the celestial poles, any target located in two declination bands near  $\pm 61.5$  degrees may be in the CVZ at some time during the 56-day HST orbital precession cycle. Some regions in these declination bands can be unusable during the part of the year when

the sun is too close to the region. The number and duration of CVZ passages depend on the telescope orbit and target position, and may differ significantly from previous cycles. Use the Available Science Time and Orientation Tool accessible from the [Two-Gyro Science Mode Web Page](#) to determine the number of CVZ opportunities in Cycle 16 and their duration for a given target location. The South Atlantic Anomaly (SAA; see Section 2.3.2) limits any *uninterrupted* observation to no more than 5-6 orbits.

The brightness of scattered earthshine background during CVZ observations is not greater than during non-CVZ observations since the same bright-earth limb avoidance angle is used. However, the duration of relatively high background can be much longer for CVZ observations than for non-CVZ observations, because the line of sight may continuously graze the bright earth-limb avoidance zone during CVZ observations.

In general, CVZ should not be requested if observations are sky-background limited under normal observing conditions. The increased earthshine means that the CVZ offers virtually no efficiency gain for programs doing background-limited broadband imaging in the optical or infrared. There have been cases in the past (e.g. the Hubble Deep Field observations) where optical imaging has been interleaved with other kinds of observations. However such observations are difficult to schedule and require strong science justification. Observers contemplating using CVZ in this way are encouraged to contact the [STScI Help Desk](#) (see Section 1.3) prior to proposing. CVZ observations are also generally incompatible with special timing requirements (e.g., timing links, special spacecraft orientations, or targets of opportunity; see [Section 4.1.1 of the Call for Proposals](#) for more details).

### 2.3.2 South Atlantic Anomaly (SAA)

The South Atlantic Anomaly, a lower extension of the Van Allen radiation belts, lies above South America and the South Atlantic Ocean. No astronomical or calibration observations are possible during passages of the spacecraft through the SAA because of the high background induced in the science instruments and FGSs. As the HST orbit precesses and the earth rotates during the day, the southern part of the HST orbit intersects the SAA for 7 to 9 orbits in a row (so-called “SAA-impacted” orbits). These SAA-impacted orbits are followed by 5 to 6 orbits (8 to 10 hours) without SAA intersections. During intersections, HST observing activities must be halted for approximately 20 to 25 minutes. This effectively limits the longest possible uninterrupted observations, *even in the CVZ*, to 5 orbits.

### 2.3.3 Predicted HST Position

Because HST's orbit is low, atmospheric drag is significant. Moreover, the amount of drag varies depending on the orientation of the telescope and the density of the atmosphere which, in turn, depends on the level of solar activity. Consequently, it is difficult to predict in advance where HST will be in its orbit at a given time. For example, the predicted position of the telescope made two days in advance can be off by as much as 30 km from its actual position. An estimated position 44 days in the future may be off by  $\sim 4000$  km (95% confidence level).

This positional uncertainty can affect observations of time-critical phenomena and also those of near-earth solar system bodies. In the former case the target could be behind the Earth at the time of the event, and it may not be known if a given event will be observable until a few days before the observation. In the latter case the positional uncertainty could introduce uncertainties in the parallax correction.

---

## 2.4 Pointing Constraints

HST uses electrically driven reaction wheels to perform all slewing required for guide star acquisition and pointing control. A separate set of rate gyroscopes provides attitude information to the pointing control system (PCS). The slew rate of HST is limited to approximately 6 degrees per minute of time. Consequently, about one hour is needed to go full circle in pitch, yaw or roll. After the telescope arrives at the new target, attitude updates and guide star acquisitions take an additional 21 minutes. As a result, large maneuvers are costly in time and are generally scheduled for periods of Earth occultation or crossing of the South Atlantic Anomaly (see Section 2.3.2).

During two-gyro operations, HST's scientific instruments do not observe targets that are

- within 60 degrees of the Sun;
- within 20 degrees of any illuminated portion of the Earth;
- within 6 degrees of the dark limb of the Earth; or
- within 9.5 degrees of the Moon.

Exceptions have been made to equivalent rules under three-gyro operations. Significant work is required to support such observations, so very compelling scientific justification is necessary for approval.

---

## 2.5 Orientation and Roll Constraints.

The orientation (ORIENT) of the telescope is defined as the position angle of the U3 axis on the sky measured from North through East (see Figure 2.2).

In principle, HST is free to roll about the U1 optical axis. However, this freedom is limited by the need to keep sunlight shining on the solar arrays and by a thermal design that assumes that the Sun always heats the same side of the telescope.

For a particular pointing, the orientation of the telescope that optimizes the solar-array positioning with respect to the Sun is called the **nominal roll**. At this orientation the Sun is in the half-plane defined by the U1 axis and the negative U3 axis (see Figure 2.1). Consequently, the nominal roll required for a particular observation depends on the location of the target and the date of the observation. Observations of the same target made at different times will, in general, be made at different orientations. Some departures from nominal roll are permitted during HST observing (e.g., if a specific orientation is required on a particular date or if the same orientation is required for observations made at different times).

**Off-nominal roll** is defined as the angle about the U1 axis between a given orientation and the nominal roll. Off-nominal rolls are restricted to less than approximately 5 degrees when the U1-to-sun angle is between 60 and 90 degrees, less than 30 degrees when the angle is between 90 and 179 degrees, and it is unlimited between 179 and 180 degrees. (Note that in order to achieve an anti-sun pointing of 179-180 degrees the target must lie in or near the plane of the Earth's orbit.)

Observations requiring a certain ORIENT for a target at a particular time may not be feasible because the required off-nominal roll angle may be outside the allowed limits. The Visit Planner in the Phase II mode of the Astronomer's Proposal Tool (APT) software can be used in such cases to assess the feasibility of the observations. Please contact [help@stsci.edu](mailto:help@stsci.edu) if you need assistance.

---

## 2.6 Data Storage and Transmission

The Operations and Data Management Division at STScI constructs the HST observing schedule and the actual command loads to be sent to the telescope. Communications with the spacecraft are performed via the Tracking and Data Relay Satellite System (TDRSS) which consists of a set of satellites in geosynchronous orbit. The TDRSS network supports many spacecraft in addition to HST. Therefore the use of the network, either to send commands or return data, must be scheduled. Because of limited onboard command storage capacity and TDRSS availability, the command sequences for HST observations are normally uplinked approximately once every 8 hours. HST then executes the observations automatically. Data are downloaded ten to twenty times per day depending on the observing schedule.

### 2.6.1 Real-time Contact Requests

Observers at STScI can interact in real-time with HST, usually in support of target acquisition pointing adjustments. There are two components to this interaction; data transmission downlink and vehicle/instrument command uplink. The real-time data downlink typically involves expediting the transmission of an HST image for determining a pointing correction for a subsequent observation. The real-time mode for transmitting this data is a limited resource that restricts scheduling opportunities since the data collection must occur at the same time that HST has high data rate communications with the ground. These opportunities may not coincide with other absolute timing requirements of the science observation itself or the request may simply be an unnecessary restriction in general. The real-time uplink component is less restrictive in that it simply must occur before the observation it is intended to support. However, it is more difficult to find scheduling opportunities for real-time contact requests in general. Observers who think they may require real-time support for target acquisitions or other reasons should discuss their needs and the implications for their program with STScI.

### 2.6.2 Onboard Data Storage

HST currently uses large capacity Solid State Recorders (SSRs) to store science data before transmission to the ground. Except when real-time access is required, most HST observations are stored to the SSR and read back to the ground several hours later. Some science programs requiring very high data-acquisition rates cannot be accommodated because the instruments would generate more data than either the links or ground system could handle (see Section 6.2.2).





# Telescope Performance

## In this chapter...

3.1 Optical Performance / 19

3.2 HST Guiding Performance / 20

3.3 HST Observing Efficiency / 21

## 3.1 Optical Performance

Because the primary mirror has about one-half wave of spherical aberration, the Optical Telescope Assembly (OTA) did not achieve its design performance until after the first servicing mission in December 1993 when corrective optics were installed for the science instruments (SIs). From this time on, the detectors of all SIs (with the exception of the FGSs) have viewed a corrected beam, either via external corrective optics (COSTAR) or via internal optics (for the second and third-generation instruments). Table 3.1 gives a summary of general OTA characteristics.

Table 3.1: HST Optical Characteristics and Performance

<b>Design</b>	Ritchey-Chretien Cassegrain
<b>Aperture</b>	2.4 m
<b>Wavelength Coverage</b>	From 1100Å (MgF <sub>2</sub> limited) to ~ 3 microns (self-emission limited)
<b>Focal Ratio</b>	$f/24$
<b>Plate Scale (on axis)</b>	3.58 arcsec/mm
<b>PSF FWHM at 5000Å</b>	0.043 arcsec
<b>Encircled Energy within 0.1" at 5000Å</b>	87% (60%-80% at the detectors)

Because each SI has unique characteristics, the actual encircled energy is instrument dependent and may also vary with observing techniques. For instrument specific Point Spread Function (PSF) characteristics over various wavelength ranges please consult the [HST Instrument Handbooks](#) (see Section 1.2). The TinyTim software, developed at STScI and the ST-ECF, is available on the [TinyTim Web page](#) for detailed HST/PSF simulations, which agree well with actual observations.

---

## 3.2 HST Guiding Performance

HST's Pointing Control System (PCS) has two guiding modes available. The default guide mode uses Fine Guidance Sensors (FGSs) to provide high precision pointing control by using guide stars to actively control the telescope pointing. However, the telescope pointing can also be controlled using the rate-sensing gyroscopes.

Gyro-only pointing will not be available for science observations in two-gyro mode. See the [HST Two-Gyro Handbook](#) for detailed information about pointing and guiding in two-gyro mode. In Cycle 16, all GO observations will be taken in two-gyro mode. *On-orbit data show that there is essentially no difference in guiding performance between 2 and 3 gyro operations.*

### 3.2.1 FGS - Dual Guide Star Acquisitions

The default operational practice is to schedule observations using Dual Guide Star mode. In a Dual Guide Star Acquisition, two FGSs lock onto separate guide stars. The combined pointing information is used to control the pitch, yaw, and roll axes of the telescope (by contrast to ground-based telescopes, which generally only use one guide star). Dual Guide Star Acquisition times are typically 6 minutes. Re-acquisitions following interruptions due to Earth occultations also take about 6 minutes. This pointing control method was designed to keep telescope jitter below 0.007" rms, which is now routinely achieved. A drift of up to 0.05" may occur over a timescale of 12 hours and is attributed to thermal effects as the spacecraft and FGSs are heated or cooled.

### 3.2.2 FGS - Single Guide Star Acquisitions

In cases where two suitable guide stars are not available, a single guide star acquisition can be used. The translational motion of the HST is then controlled by a guide star in one of the FGSs, while the roll motion is

controlled by the gyros. Therefore, a gyro drift will be present that is approximately 1.5 mas/sec of roll angle around the guide star. This introduces a translational drift across the target, the exact size of which depends on the roll drift rate and distance from the single guide star to the instrument aperture (target) in the field-of-view (see Figure 2.2). Note however that the gyro drift can build up through occultations and typically limits a visit duration to a few orbits.

There are also occasions when a dual guide star acquisition is planned, but one of the planned pair of guide stars cannot be acquired. In this case, the Pointing Control System (PCS) will usually carry out the observations using single FGS guiding. More details on single guide-star guiding issues specific to ACS programs, particularly those that require very accurate knowledge of the PSF (including coronagraphic programs and astrometric programs) or accurate sub-pixel dithering can be found at:

[http://www.stsci.edu/hst/acs/faqs/guide\\_star.html](http://www.stsci.edu/hst/acs/faqs/guide_star.html)

or in the [ACS Instrument Handbook](#).

---

### 3.3 HST Observing Efficiency

HST's "observing efficiency" is defined as the fraction of the total time that is devoted to acquiring guide stars, acquiring astronomical targets, and exposing on them. The main factors that limit the observing efficiency are:

- The low spacecraft orbit, resulting in frequent Earth occultation of most targets
- Interruptions by passages through the South Atlantic Anomaly
- The number of user-constrained visits
- The relatively slow slew rate
- Additional scheduling restrictions imposed by two-gyro mode

In recent cycles, the average observing efficiency in three-gyro mode had been around 50%. However, that value has dropped to < 45% in two-gyro mode. Of the usable observing time, about 90% is allocated to science observations, with the remainder devoted to calibration and engineering observations ( $\lesssim 10\%$ ), and repeats of failed observations ( $\sim 2\%$ ).



CHAPTER 4:

# Cycle 16 Scientific Instruments

In this chapter...

4.1 Overview / 24
4.2 Advanced Camera for Surveys (ACS) / 29
4.3 Fine Guidance Sensor (FGS1R) / 30
4.4 Near Infrared Camera and Multi-Object Spectrometer (NICMOS) / 31
4.5 Wide Field and Planetary Camera 2 (WFPC2) / 33

This chapter provides a basic description of the science instruments (SIs) that will be offered for use in Cycle 16. For detailed information on all the SIs please refer to the Instrument Handbooks available from the [HST Instruments Web page](#). Appendix B gives brief descriptions of previous HST instruments, which may be of interest for Archival Research.



---

*STIS suspended operations on 3 August 2004, and is not available for scheduling in Cycle 16. If SM4 is authorized by the NASA administrator, an attempt to refurbish STIS will be made on a best effort basis. If successful, STIS will become operational starting in Cycle 17.*

---

## 4.1 Overview

Tables 4.1 - 4.4 summarize the capabilities of the SIs. For some applications, more than one instrument can accomplish a given task, but not necessarily with equal quality or speed. Note that there may be small differences between the numbers quoted here and those quoted in the [HST Instrument Handbooks](#). In such cases the instrument handbook numbers take precedence.

Table 4.1: HST Instrument Capabilities: Direct Imaging<sup>1</sup>

SI	Field of View [arcsec]	Projected Pixel Spacing on Sky [arcsec]	Wavelength Range [Å]	Magnitude Limit <sup>4</sup>
ACS/WFC <sup>2</sup>	202 x 202	~ 0.05	3700–11,000	27.8
ACS/HRC	29 x 25	~ 0.027	2000–11,000	27.3
ACS/SBC	34 x 31	~ 0.032	1150–1700	23.2
NICMOS/NIC1	11 x 11	0.043	8000–19,000	23.2
NICMOS/NIC2	19 x 19	0.076	8000–25,000	24.7
NICMOS/NIC3	51 x 51	0.20	8000–25,000	25.6
WFPC2 <sup>3</sup>	150 x 150	0.10	1150–11,000	27.5
	35 x 35	0.0455	1150–11,000	27.8

### Notes to Table 4.1

1. WFPC2, ACS, and NICMOS have polarimetric imaging capabilities. ACS and NICMOS have coronagraphic capabilities.

2. With ramp filters, the FOV is smaller for the ACS/WFC. Please see the [ACS Instrument Handbook](#) for details.

3. The WFPC2 has four CCD chips that are exposed simultaneously. Three are “wide-field” chips, each covering a 75" x 75" field and arranged in an “L” shape, and the fourth is a “planetary” chip covering a 35" x 35" field. See Figure 2.2

4. The limiting magnitude for imaging in the visual is strongly affected by the sky background; the limiting magnitude can be about 0.5 fainter or brighter than listed here, depending on the calculation parameters specified below for each instrument. Please note that low-sky conditions limit flexibility in scheduling and are not compatible with observing in the CVZ. Single entries refer to wavelengths near the center of the indicated wavelength range. Details for each of the instrument configurations follow.

The ACS/WFC, ACS/HRC, and ACS/SBC entries in the table refer to V magnitude (Johnson) of an unreddened A0 V star (Vega), for a one-hour integration. WFC and HRC use filter F606W, GAIN=2, and CR-SPLIT=2; SBC uses F125LP. Magnitudes are for a signal-to-noise ratio of 5 in a circle of radius 0.2 arcsec for the WFC and HRC, and 0.5 arcsec for the SBC. Observations assume average background conditions. Limiting magnitude values were derived without CTE corrections.

The ACS spectroscopy entries refer to the limiting V magnitude (Johnson) of an unreddened A0 V star (Vega) in order to achieve a signal-to-noise ratio of 5 in an expo-

sure time of one hour assuming average background conditions. CCD spectroscopy magnitude limits are for GAIN=2 and CR-SPLIT=2. Assumed wavelengths are 1500Å (PR110L and PR130L), 2500Å (PR200L), and 7000Å (G800L).

The WFPC2 entries refer to the limiting V magnitude in F606W of an unreddened A0 V star in order to achieve a signal-to-noise ratio of 5 in a CR-SPLIT exposure time of one hour assuming low-background conditions. WFPC2 Charge Transfer Efficiency (CTE) losses are negligible for this filter due to the significant sky background accumulated over 3600 sec in F606W. However, note that WFPC2 images of faint point sources with little sky background can experience significant CTE losses; please see the [WFPC2 Instrument Handbook](#) for details.

The NICMOS entries refer to the limiting H magnitude in the Vega system of an unreddened A0 V star in order to achieve a signal-to-noise ratio of 5 in the brightest pixel in an exposure time of one hour assuming “average” zodiacal light. For NICMOS imaging, we assume filter F160W with a detector temperature of 77.1 K. Please see the [NICMOS Instrument Handbook](#), Chapter 9, for details.

Table 4.2: HST Instrument Capabilities: Slitless Spectroscopy

SI	Field of View [arcsec]	Projected Pixel Spacing on Sky [arcsec]	Resolving Power <sup>1</sup>	Wavelength Range [Å]	Magnitude Limit <sup>4</sup>
ACS/WFC grism G800L	202 x 202	~ 0.05	~ 100	5500–11,000	24.4
ACS/HRC grism G800L	29 x 25	~ 0.027	~ 140	5500–11,000	23.6
ACS/HRC prism PR200L	21 x 25	~ 0.027	~ 100	2000–4000	22.7
ACS/SBC prism PR130L	28 x 31	~ 0.032	~ 100	1250–1800	21.5
ACS/SBC prism PR110L	28 x 31	~ 0.032	~ 100	1150–1800	20.9
NICMOS <sup>2</sup>	51 x 51	0.2	200	8000–25,000	21.6,21.1,18.0
WFPC2 <sup>3</sup>	10 x 10	0.1	~ 100	3700–9800	25

#### Notes to Table 4.2

1. The resolving power is  $\lambda/\text{resolution}$ .
2. NICMOS has three grisms (G096, G141, and G206) for use in NIC3. We assume a detector temperature of 77.1 K and “average” zodiacal light; the limiting Vega system H magnitude for spectroscopy is given for a point source to reach a signal-to-noise ratio of 5 in a one hour exposure.
3. WFPC2 is capable of obtaining low-resolution spectra by placing a target successively at various locations in the WFPC2 linear ramp filter.
4. See Note 4 to Table 4.1

Table 4.3: HST Instrument Capabilities: Positional Astrometry

SI	Field of View	Precision (per observation)	Wavelength Range (Å)	Magnitude
FGS1R	69 square arcmin	~ 1 mas	4700–7100	<16.7

Table 4.4: HST Instrument Capabilities: Binary Star Resolution and Measurements

SI	Field of View	Minimum Separation [mas]	Accuracy [mas]	Delta Magnitude (max)	Primary Star Magnitude
FGS1R	aperture center 5" x 5" IFOV	8	1	0.6	<14.5
		10	1	1.0	<14.5
		15	1	1.0	<16.6
		20	1	2.5	<16.3
		30	1	4.0	<15.0

### 4.1.1 Instrument Comparison

Observers often face the choice of deciding which HST instrument is best-suited for a particular observation. In some cases, the choice is limited to one instrument, but in many situations the proposer must decide from among several possibilities. Instrument choices for imaging observations currently include ACS, NICMOS, and WFPC2. Spectroscopic observations are currently limited to the slitless capabilities of instruments listed in Table 4.2. Some general considerations follow, and further details can be found in the individual instrument handbooks.

- The ACS/WFC camera has a larger field of view than WFPC2, significantly higher throughput over a wide spectral range, lower read-out noise, better sampling of the PSF, and a factor of 15 increase in dynamic range.
- Observers wishing to make near-UV imaging observations should consider the high throughput and angular resolution of the ACS/HRC versus the wider field offered by WFPC2.
- The ACS/HRC provides critical sampling of the PSF in the visible and high throughput in the blue.
- ACS/HRC offers a fully apodized Visible/NUV coronagraphic imaging mode with 1.8" and 3.0" occulting spots. It also offers occulted (un-apodized) imaging.
- The ACS/SBC channel provides FUV ( $\lambda < 2000\text{\AA}$ ) imaging capability with good sensitivity and an extended set of filters.



- The WFPC2 instrument provides a wider range of narrow-band capabilities than ACS, with a total of 13 narrow-band and 5 medium-band filters with central wavelengths ranging from 1220 to 10,420Å, as well as 4 linear ramp filters and 2 quad filters that yield 8 different central wavelengths on the 4 WFPC2 chips.
- The F850LP filter is a unique ACS capability which, because it is a narrower filter, offers better wavelength resolution in the red than WFPC2 broad filters such as F814W. When used with two adjacent filters, F850LP enables high redshift systems ( $z \geq 6$ ) to be separated out using the Lyman break technique.
- At wavelengths below 3700Å, WFPC2 provides the widest field of view covering a total of 5 square arcminutes, which is 24 times larger than the ACS/HRC field and 16 times larger than that of the ACS/SBC. (The ACS/WFC cuts off below 3700Å.) However, the ACS/HRC and ACS/SBC detectors are factors of 5 and 10 times more sensitive, respectively, than the WFPC2 detectors.
- NICMOS is the camera of choice for observations at wavelengths longer than about 1 micron. There is some overlap with ACS at shorter wavelengths. NICMOS also provides good spatial resolution (particularly in camera 1), and has facilities for coronagraphic and polarimetric measurements.
- ACS offers high throughput grism ( $R \sim 100$ ) imaging in the WFC and in the HRC.
- ACS offers high throughput prism ( $R \sim 100$ ) imaging in the HRC and SBC channels.

The following tables provide some basic recommendations that may be useful in deciding which HST instrument to use in Cycle 16. Table 4.5 summarizes HST instrument choices currently available for spectroscopic observations. Table 4.6 lists typical decisions that are often made for imaging observations. All recommendations should be considered general in nature and are meant to provide high-level guidance to observers. The ultimate choice of instrument for a particular observation may depend upon a variety of competing factors and is left for the proposer to decide.




---

***STIS suspended operations on 3 August 2004, and is not available for scheduling in Cycle 16. If SM4 is authorized by the NASA administrator, an attempt to refurbish STIS will be made on a best effort basis. If successful, STIS will become operational starting in Cycle 17.***

---

Table 4.5: Spectroscopy Decisions

Type of Observation	Recommended Instrument
Slitless spectroscopy	ACS (R ~ 100) or NICMOS grism (R ~ 200)

Table 4.6: Imaging Decisions

Type of Observation	Recommended Instrument	Comment
<b>Ultraviolet Observations</b>		
$\lambda < 2000\text{\AA}$	ACS/SBC	
$\lambda > 2000\text{\AA}$	WFPC2 or ACS/HRC	WFPC2 has the largest FOV. ACS/HRC has the highest throughput.
<b>Optical Observations</b>		
Broadband $\lambda > 4000\text{\AA}$	ACS/WFC	Wide field, high throughput.
Narrowband $\lambda > 4000\text{\AA}$	WFPC2 or ACS	WFPC2 has more filter choices. ACS has a few narrow filters. Ramp filters are available for smaller areas (both instruments).
High resolution	ACS/HRC	Best sampled PSF.
Coronagraphy	ACS/HRC	
<b>Infrared Observations</b>		
Wavelength $> 1$ micron	NICMOS	Only instrument available.
Coronagraphy	NICMOS	

### 4.1.2 Future Instruments

Two new science instruments, the Cosmic Origins Spectrograph (COS) and the Wide Field Camera 3 (WFC3), are to be installed during SM4. The servicing mission is expected to take place in December 2007. The new instruments will become available during Cycle 17. Instrument capabilities are outlined in the [COS](#) and [WFC3](#) Mini Handbooks.

## 4.2 Advanced Camera for Surveys (ACS)



*As of July 4, 2006, ACS switched over to its Side-2 electronics and lowered its WFC setpoint temperature from -77 C to -81 C. This may result in slight discrepancies when comparing data from Side-1 to data from Side-2 until the ACS Team can fully characterize and calibrate the Side-2 performance. Updated reference files will be incorporated into the CALACS pipeline as soon as they are available. Observers should consult the [ACS Instrument Handbook](#) and [ACS Web Page](#) for current information.*

The ACS is designed to advance the survey capabilities of HST, defined as the product (Throughput x Detector Area), by a factor of  $\sim 10$  in the visual and near infrared. This instrument comprises three channels, each optimized for a specific goal:

- The **Wide Field Channel** (ACS/WFC):

The WFC has a  $202 \times 202$  arcsec field of view from 3700 to 11,000Å and a peak efficiency of 48% (including the OTA). The plate scale is  $\sim 0.05$  arcsec/pixel, providing critical sampling at 11,600Å. The detector consists of a mosaic of two  $2048 \times 4096$  Scientific Imaging Technologies (SITe) CCDs, with  $15 \times 15$   $\mu\text{m}$  pixels.

- The **High Resolution Channel** (ACS/HRC):

The HRC has a  $29 \times 25$  arcsec field of view from 2000 to 11,000Å and a peak efficiency of 31%. The plate scale is  $\sim 0.027$  arcsec/pixel, providing critical sampling at 6300Å. The detector is a  $1024 \times 1024$  Scientific Image Technologies (SITe) CCD, with  $21 \times 21$   $\mu\text{m}$  pixels.

- The **Solar Blind Channel** (ACS/SBC):

The SBC has a  $34 \times 31$  arcsec field of view from 1150 to 1700Å and a peak efficiency of 6%. The plate scale is  $\sim 0.032$  arcsec/pixel. The detector is a solar-blind CsI MAMA with  $25 \times 25$   $\mu\text{m}$  pixels.

In addition to these three prime capabilities, ACS also provides:

- Grism spectroscopy: Low resolution ( $R \sim 100$ ) wide field spectroscopy from 5500 to 11,000Å in both the WFC and the HRC.
- Prism spectroscopy: Low resolution ( $R \sim 100$  at 2000Å) near-UV spectroscopy from 2000 to 4000Å in the HRC.

- Prism spectroscopy: Low resolution ( $R \sim 100$  at  $1216\text{\AA}$ ) far-UV spectroscopy from  $1150$  to  $1700\text{\AA}$  in the SBC.
- Coronagraphy: Aberrated beam coronagraphy with the HRC from  $2000$  to  $11,000\text{\AA}$  with  $1.8$  arcsec and  $3.0$  arcsec diameter occulting spots. *Use of the SBC with the Coronagraph is prohibited, for detector safety reasons.*
- Imaging Polarimetry: Polarimetric imaging in the HRC and WFC with polarization angles of  $0^\circ$ ,  $60^\circ$ , and  $120^\circ$ .
- Ramp Filters: A set of ramp filters covering the wavelength range  $3810$  to  $10,710\text{\AA}$  at  $2\%$  and  $9\%$  bandwidth. There are five ramp units which each have inner, middle, and outer segments. WFC can use all three segments, providing 15 ramp filters, while HRC can only use the 3 middle ramp filters. ACS ramp filters have a higher throughput than those in WFPC2.

---

### 4.3 Fine Guidance Sensor (FGS1R)

As a scientific instrument, the FGS1R offers accurate relative astrometry and high spatial resolution.

In Position (**POS**) mode it measures the relative positions of objects in its  $69$  square arc minute FOV with a per observation precision of about  $1$  mas. Position mode observing is used to determine the relative parallax, proper motion, and reflex motion of single stars and binary systems. Multi-epoch programs have resulted in measurements accurate to about  $0.3$  mas or less.

In Transfer (**TRANS**) mode the FGS  $5'' \times 5''$  instantaneous field of view (IFOV) is scanned across an object to obtain an interferogram with high spatial resolution (conceptually equivalent to an imaging device that samples an object's point spread function with  $1$  mas pixels).

Transfer mode observing is used to measure the angular size of extended objects or to resolve binary systems and measure the separation, position angle, and relative brightness of its components. FGS1R can resolve close binary systems with angular separations of only  $8$  mas and magnitude differences of less than  $1.0$ . Systems with magnitude differences as large as  $4$  can be resolved provided the separation of the stars is larger than about  $30$  mas.

In either mode, the FGS yields  $40$  Hz photometry with a relative precision of about  $1$  milli-magnitude. Objects over a dynamic range of  $3 < V < 17$  can be observed.

## 4.4 Near Infrared Camera and Multi-Object Spectrometer (NICMOS)

NICMOS provides HST's only infrared capability. The three 256 x 256 pixel cameras of NICMOS are designed to provide, respectively:

- diffraction limited sampling to 1.0 micron (Camera 1);
- diffraction limited sampling to 1.75 micron (Camera 2);
- a relatively large field of view of 51 x 51 arcsec (Camera 3).

Each NICMOS camera provides 19 independent optical elements, offering a wide range of filter options. Cameras 1 and 2 have polarimetric filters; Camera 2 has a 0.3 arcsec radius coronagraphic hole and an optimized cold mask to support coronagraphic observations; and Camera 3 has three separate grisms providing slitless spectroscopy over the full NICMOS wavelength range. The short wavelength response cutoff at 0.8 micron (see Section 4.1) is a limitation of the HgCdTe detector material, while the long wavelength cutoff at 2.5 micron was selected as the longest scientifically useful wavelength given HST's warm optics.

The original coolant of the NICMOS dewar (solid nitrogen) was exhausted in January 1999. The successful installation of the NICMOS Cooling System (NCS) during servicing mission SM3B in March 2002 has fully restored NICMOS functionality, albeit at a higher operating temperature (~77.1K, about 15K higher than with solid nitrogen). Following its on-orbit installation, a series of tests to determine the stability and repeatability of the NCS control law verified that - barring any unforeseen performance degradation - the NCS is capable of maintaining the NICMOS detectors to within 0.1 K of their target temperature under all orbital and seasonal conditions. Because the NICMOS detectors react sensitively to temperature variations, this is extremely positive news for the scientific performance of NICMOS. At their new operating temperature, NICMOS detector characteristics such as quantum efficiency and dark current are different compared to Cycle 7/7N. The performance changes have been measured during the SM3B Orbital Verification program and are reflected in the current NICMOS Exposure Time Calculator. The bottom line is that, for most science programs, the renewed NICMOS is slightly more sensitive than during its earlier life, because of higher DQE and the absence of any anomalously high dark current levels.

### 4.4.1 Camera Focusing

The NICMOS cameras were designed to be operated independently and simultaneously. However, due to an anomaly in the NICMOS dewar, the three cameras are no longer confocal. While Cameras 1 and 2 are close to being confocal, Camera 3 will be out of focus when Camera 1 or 2 is the prime instrument. The Pupil Alignment Mechanism (PAM) will be automatically moved to the optimal focus position for the prime instrument. An intermediate focus position between Cameras 1 and 2 is available to optimize the image quality to the highest degree possible in both cameras at their critically sampled wavelengths.

### 4.4.2 Dark Levels

The NICMOS calibration program following the cool down has shown that the dark current levels of all three NICMOS cameras are nominal; i.e., median dark levels for all 3 cameras are from 0.1 to 0.2  $e^-/\text{sec}/\text{pixel}$ , where the dark current is the signal remaining after removing the amp-glow and shading contribution from the total “dark” signal. The [NICMOS Exposure Time Calculator](#) (ETC) has been updated with the new dark current values.

### 4.4.3 South Atlantic Anomaly (SAA) Cosmic Ray Persistence

NICMOS data obtained within ~ 40 minutes of passage through the SAA (see Section 2.3.2) exhibited a persistent signal that significantly degraded the quality of the data. This signal, caused by persistence of the cosmic ray hits, was similar to a slowly decaying, highly structured dark current and could not be removed by the standard calibration pipeline processing.

Because HST passes through the SAA several times a day, a large fraction of NICMOS images are affected by cosmic ray persistence. Beginning in Cycle 12, STScI automatically schedules a pair of NICMOS ACCUM mode dark exposures after each SAA passage. This data will provide a map of the persistent cosmic ray afterglow when it is strongest. Analysis has shown that it is possible to scale and subtract such “post-SAA darks” from subsequent science exposures taken later in the same orbit, which significantly improves the quality of the science data. STScI has created a software tool to remove cosmic ray persistence from SAA-impacted data. Consult the [NICMOS Instrument Handbook](#) for more information.

## 4.5 Wide Field and Planetary Camera 2 (WFPC2)

The WFPC2 has three “wide-field” CCDs and one high-resolution (or “planetary”) CCD. Each CCD covers 800 x 800 pixels and is sensitive from 1150 to 11,000 Å. All four CCDs are exposed simultaneously, with the target of interest being placed as desired within the FOV.

The three Wide Field Camera (WFC) CCDs are arranged in an “L”-shaped FOV whose long side projects to 2.5', with a projected pixel size of 0.10" (see Figure 2.2). The Planetary Camera (PC) CCD has a FOV of 35" x 35", and a projected pixel size of 0.0455". The WFC configuration provides the larger FOV, but undersamples the cores of stellar images; the PC configuration samples the images better, but has the smaller FOV.

A total of 48 different filters may be inserted into the optical path. Polarimetry may be performed by placing a polarizer quad filter into the beam and exposing through the different quads and/or different filter wheel rotations. There are a total of 18 narrow-band and medium-band filters, as well as 2 narrow-band quad filters that each yield 4 different central wavelengths. There are also 4 linear ramp filters that effectively allow you to image a ~ 10" region in an arbitrary 1.3% bandpass at any wavelength between 3700Å and 9760Å, by means of a variety of filter wheel orientations and target placements within the FOV.

Beginning in 2003 a serious electronic anomaly appeared in the WF4 CCD detector of WFPC2 wherein sporadic images have corrupted (but correctable) photometry. The frequency and severity of the problem increased slowly, and by late 2005 a significant fraction of images taken in WF4 were blank and unusable. Early in 2006 a work-around was found which allowed good data to be taken even though the WF4 electronics continued to slowly fail. As of this writing we expect WF4 to continue to produce good data for several more years, but there is some possibility the hardware failure might accelerate with WF4 being completely lost. The other three CCDs appear unaffected, and in fact small targets are usually placed on the PC1 or WF3 CCDs, so the WF4 anomaly has had much less impact than it otherwise might have. Large targets and surveys do benefit from the added sky area contributed by WF4, and would be more impacted by its failure. In addition, some specialized filters (polarizers, ramps, quad filters) rely on WF4 and would be severely impacted, were it to fail completely.





# Observing Considerations

## In this chapter...

5.1 Bright-Object Constraints / 35

5.2 Target Acquisitions / 37

5.3 Solar System Targets / 38

5.4 Offsets and Patterns / 39

---

## 5.1 Bright-Object Constraints

Some of the SIs must be protected against over-illumination; observations that violate these protections cannot be executed and should not be proposed. We emphasize that the constraints discussed below are *safety* constraints; data become affected by bright objects at substantially fainter limits than the safety limits discussed in the following sections. Bright-object related effects include non-linearity, saturation, and residual-image effects. Please consult the [HST Instrument Handbooks](#) (see Section 1.2) for details.

### 5.1.1 NICMOS & WFPC2

There are no safety-related brightness limits for NICMOS and WFPC2.

### 5.1.2 ACS

The CCDs on ACS have no safety-related brightness limits.

The MAMA detector in the ACS/SBC can be damaged by excessive levels of illumination and is therefore protected by hardware safety mechanisms. In order to avoid triggering these safety mechanisms, STScI will screen all proposals to enforce absolute limits on the brightest targets that can be observed by the SBC. Observers are responsible for proposing safe observations and must provide accurate information to support the STScI screening process.

The MAMA count-rate limits are given in the [ACS Instrument Handbook](#), which also includes sample magnitude screening limits for astronomical objects observed in the various SBC modes. In addition, the Exposure Time Calculators (ETCs), accessible from the [ACS Software Tools Web page](#), can be used to determine if a particular target and configuration exceed the global or local countrate screening limit of the SBC.

The V magnitude screening limits are quoted in Section 7.2 of the [ACS Instrument Handbook](#). For objects with strong UV fluxes (e.g., early-type stars), the screening limit can be as faint as V=16-19. Therefore, ACS/SBC proposers must refer to the ACS Instrument Handbook for instructions on performing a detailed analysis for their specific sources, and discuss the results in the Description of the Observations section of the Phase I proposal (see [Section 9.2 of the Call for Proposals](#)), for both the targets and other objects in the FOV. Note that for SBC prism spectroscopy, a direct image must be added manually to provide the wavelength calibration, and it will drive the safety issue since the direct filters are more sensitive than the prisms. This image must be included in the Observing Summary and the safety discussion.

For ACS/SBC observations of aperiodic variable objects with known properties, the maximum flux values must be applied for the bright object protection (BOP) screening. For objects either known to be subject to unpredictable outbursts on a timescale less than 100 years that would exceed the screening limit of the specified configuration, or belonging to a class of such objects, either external or HST data confirming quiescence within about 24 hours of the SBC observation must be provided by the proposers, or the SBC observation will be cancelled. The choice between external and HST confirmatory data is at the discretion of the proposers. If HST data, generally ACS/HRC, are to be used for this purpose, the required orbits must be requested in Phase I (see [Section 4.1.3 of the Call for Proposals](#)). Further details about these procedures are presented in [ACS ISR 06-04](#).

### 5.1.3 FGS

Objects as bright as  $V=3.0$  may be observed if the 5-magnitude neutral-density filter (F5ND) is used. Observations of all objects brighter than  $V=8.0$  should be performed with this filter. A hardware limitation prevents the FGS target acquisition from succeeding for any target brighter than  $V=8.0$  ( $3.0$  with F5ND).

---

## 5.2 Target Acquisitions

Target acquisition is the procedure used to ensure that the target is in the field of view of the requested aperture to the level of accuracy required by the observer. There are several distinct methods of target acquisition; each method has a different approach and different accuracy and will take different amounts of time and resources to complete. The required level of accuracy depends on the size of the aperture to be used to obtain the science data and on the nature of the science program.

### 5.2.1 Target Acquisition without the Ground System

#### Blind acquisition

For blind acquisition, guide stars are acquired and the FGSs are used for pointing control. The pointing is accurate to the guide star position uncertainty, which is approximately  $0.3''$  rms, plus the instrument-to-FGS alignment error.

#### Onboard acquisition

For onboard acquisition, software specific to the scientific instrument centers the fiducial point onto the target. Onboard target acquisitions are needed for all coronagraphic observations with ACS and NICMOS. The WFPC2 does not have onboard acquisition capabilities. For specific information on methods and expected pointing accuracies, see the [HST Instrument Handbooks](#) (see Section 1.2).

#### Early acquisition

For early acquisition, an image is taken in an earlier visit to provide improved target coordinates for use with subsequent visits.

### 5.2.2 Target Acquisition with the Ground System

Target acquisitions that cannot be accomplished reliably or efficiently via one of the above methods may still be possible by transmitting the relevant

data to STScI, analyzing them to determine the needed pointing corrections, and then providing those corrections to the telescope. This description covers two kinds of activities, the “real-time target acquisition” and the “reuse target offset”, both of which are described briefly here. You should contact the [STScI Help Desk](#) (see Section 1.3) if either of these capabilities is required.

### **Real-time target acquisition**

This method is available for all scientific instruments except the FGS, but generally is used only in exceptional circumstances. High data rate TDRSS links are required at the time the data are read out to transmit the data to the ground, and at a subsequent time to re-point the telescope before the science observations, all of which adds a constraint to the scheduling. The PI, or a designated representative, must be present at STScI at the time of the acquisition. The acquisition data, usually an image, are analyzed by STScI support personnel to compute the image coordinates and the centering slew for the target identified by the PI.

### **Reuse target offset**

An offset slew, derived from an onboard acquisition, or an image obtained on a previous visit, is used to reduce the amount of time required for acquisitions in subsequent visits to the same target. The data from the initial visit are analyzed by STScI support personnel to provide the offset slew to be repeated for subsequent visits. All subsequent visits to the target must use the same guide stars as the initial visit, which limits the time span of all visits to a few weeks.

---

## **5.3 Solar System Targets**

Objects within the solar system move with respect to the fixed stars. HST has the capability to point at and track moving targets, including planets, their satellites and surface features on them, with sub-arcsecond accuracy. However, there are a variety of practical limitations on the use of these capabilities that must be considered before addressing the feasibility of any particular investigation.

HST is capable of tracking moving targets with the same precision achieved for fixed targets. This is accomplished by maintaining FGS Fine Lock on guide stars, and driving the FGS star sensors in the appropriate path, thus moving the telescope so as to track the target. Tracking under **FGS control** is technically possible for apparent target motions up to 5 arcsec per second. In practice, however, this technique becomes

infeasible for targets moving more than a few tenths of an arcsec per second.

The track for a moving target is derived from its orbital elements. Orbital elements for all of the planets and their satellites are available at STScI. For other objects, the PI must provide orbital elements for the target in Phase II. The Reuse target offset capability (see above) can be used to insert an offset within 3 days of the observation to eliminate “zero-point” errors due to an inaccurate ephemeris.

---

## 5.4 Offsets and Patterns

Offsets are routinely used to reposition the target in the instrument field-of-view. The size of the offset is limited by the requirement that both guide stars remain within the respective fields of view of their FGSs. Offsets within single detectors (the most common type) can be performed to within  $\pm 0.003''$ . Offsets that continue across separate visits (when executed with the same guide stars) will typically have an accuracy of  $\sim 0.05''$ .

Patterns are used to place the telescope at multiple positions to allow for dithering or mosaic construction. Patterns can define a linear, spiral, or parallelogram series of observation points. Patterns can also be combined to produce a more complex series of observation points. In addition, “convenience patterns” have been predefined to represent typical dither and mosaic strategies; for details see the Phase II Instructions document, available from the [Phase II Program Preparation Web page](#). The possible pattern area is limited by the requirement that the same guide stars be used throughout the pattern. This implies a maximum of about 120 arcsec of linear motion.

For most small or medium-sized imaging programs (e.g., up to a few orbits per target/field combination), conventional dither patterns can be used, which generally consist of offsets designed to provide half-pixel subsampling as well as to move bad pixels and inter-chip gaps to different locations on the sky. Larger programs may benefit by considering more complex dithering strategies, to provide, for example, even finer subsampling of the detector pixels. The data can be combined using the [MultiDrizzle](#) software provided as part of [PyRAF/STSDAS](#). More details are provided in the [HST Dither Handbook](#).

In general, undithered observations with the ACS CCD detectors will not be approved without strong justification that such are *required* for the

scientific objectives. Otherwise, hot pixels and other detector artifacts will compromise the program and the archival value of the data. Further details about the options and advantages of ACS patterns can be found in the [ACS Instrument Handbook](#), the [Phase II Proposal Instructions](#), and the [ACS Dither Web page](#).

# Orbit Calculation for a Phase I Proposal

## In this chapter...

6.1 Overview of an Observing Program / 41

6.2 HST Visits / 43

6.3 The Visibility Period / 45

6.4 Acquisition Times and Instrument Overheads / 46

6.5 Constructing Your Program / 53

An important issue when preparing an HST observing proposal is calculating the amount of observing time you need to request. This chapter guides you through the steps that are required to accomplish this task. Appendix A illustrates some simple orbit calculations for each of the instruments.

---

## 6.1 Overview of an Observing Program

### 6.1.1 General Observer (GO) Programs

#### Definitions (HST Orbits, Visibility Periods, and Visits)

HST GO observing time is counted in terms of *orbits*. Each 96 minute orbit contains a certain amount of useful time when the target can be observed, called the *visibility period*. The length and timing of the visibility period depends on the declination of the target and on whether there are any special scheduling constraints. Orbits are grouped into larger units called *visits*; a visit is a series of one or more exposures on a target, including the overheads, that will execute in one or more consecutive orbits.

### Components of a Visit

The orbits in a visit generally contain the following components:

- Guide star acquisition (needed in the first orbit of a visit) or re-acquisition (needed in the subsequent orbits of a visit), to ensure that HST can maintain adequate pointing during each orbit. See Section 3.2 for details on guiding.
- Target acquisition. This is required if the target must be placed in an instrument aperture. Imaging observations (unless they are coronagraphic) generally do not require a target acquisition. See Section 5.2 for details on target acquisition strategies.
- Science exposures.
- Instrument overheads (e.g., the time required to set up the instrument and read out the data).
- Telescope repositioning overheads for small angle maneuvers such as pattern dithers and offsets. Note that it is generally not possible to observe multiple targets within a single HST orbit in two-gyro mode unless the separation of targets is small enough ( $<2'$ ) that the telescope can be repositioned with a small angle maneuver that does not break guide star tracking. *Maneuvers that require a full guide star acquisition will be forced into a new orbit.*
- Special calibration observations, which may be required if the accuracy provided by the standard calibrations is inadequate for the goals of the project (see [Section 4.3 of the Call for Proposals](#)).

### Preparing your Program

To calculate the resources required for your GO program you must take the following steps:

1. Define the observations (instrument setup, number of exposures, exposure times, etc.) you wish to execute on each target. Use the Instrument Handbooks and the Exposure Time Calculator (ETC) tools that are available on the [HST Instruments Web page](#) as primary resources in this stage of your proposal preparation.
2. Group your observations into separate visits following the guidelines in Section 6.2.
3. Determine the visibility period of each target in your proposal (described in Section 6.3).
4. Compute the times required for guide star acquisitions, target acquisitions, instrument overheads, and telescope repositioning overheads (described in Section 6.4 and Appendix A). *The observations for a*



*Survey target, including overheads, must not exceed 48 minutes. See Section 3.2.3 of the Call for Proposals*

5. Lay out all the exposure and overhead times for your program into visits (described in Section 6.5) and add up the number of orbits from each visit to obtain your total orbit request. Each visit must consist of an integer number of orbits. Partial orbits are not granted.

### 6.1.2 Snapshot Programs

In a Phase I Snapshot proposal, the PI specifies a requested number of targets, rather than a requested number of orbits. The exposure times and overhead times for Snapshot observations are calculated in similar fashion as for GO observations. *The observations for a Snapshot target, including overheads, must not exceed 40 minutes. See Section 3.3 of the Call for Proposals* for detailed policies and procedures regarding Snapshot observations.

---

## 6.2 HST Visits

### 6.2.1 Defining New Visits and Optimizing Scheduling Efficiency and Flexibility

#### *Guidelines and Rules:*

The following guidelines were put in place to ensure scheduling efficiency and flexibility, and to maximize the number of scheduling opportunities during the HST observing cycle. We *recommend* that:

- Visits should not exceed five (5) orbits.
- Exposures should be ordered and grouped such that instrument overheads occur between orbital viewing periods in multi-orbit visits.
- Changes in HST pointing should not exceed ~2 arc minutes. This can be due to an explicit change in target position (e.g. POS TARG, pattern, aperture change) or the use of a new target. *Changes larger than 2 arc minutes introduce major slews which can be accommodated but, only if science goals dictate and conditions allow it.*

A new visit is *required* if any of the following conditions occur:

1. a change in HST pointing of greater than ~1 degree.
2. the interval of time between repeated or periodic exposures creates an empty visibility period (an orbit with no exposures).

3. there is a required change in telescope roll orientation between observations.

A more complete explanation of the rationale behind these guidelines and rules can be found at the [Visit Size Recommendations Web page](#).

The practical implementation of these guidelines is dictated by the details of the telescope and instrument operating characteristics. Proposers should use the Phase I documentation and proposal tools to gain insight into how well a proposed observing scenario satisfies each of the guidelines.

In general, the rule of thumb is that “smaller is better”. Thus, smaller visit durations, target separations, and instrument configurations are better, where “better” refers to telescope scheduling efficiency and flexibility. STScI will work with observers (in Phase II) to find the best observing strategy that satisfies the science goals while following these guidelines as closely as possible.

## 6.2.2 Instrument Specific Limitations on Visits

For all SIs except WFPC2, there are instrument-specific restrictions on the definition of a visit.

### ACS: Data Volume Constraints

If ACS data are taken at the highest possible rate ( $\sim 5$  WFC images per orbit) for several consecutive orbits, it is possible to accumulate data faster than it can be transmitted to the ground, even when using both HST data transmitters. High data volume proposals will be reviewed and on some occasions, users may be requested to divide the proposal into different visits or consider using subarrays. Users can achieve higher frame rates by using subarrays, at the expense of having a smaller field of view; see the [ACS Instrument Handbook](#) for details.

### FGS: Astrometry

For astrometric observations using FGS1R, each individual set (consisting of target object and reference objects) may be contained in one visit if there is no telescope motion made during the sequence.

### Coronagraphy

In two-gyro mode, all ACS or NICMOS coronagraphic observations will be single visits using the full orbit for science observations. *Two images of the same target within the same orbit, with a roll of the telescope between observations, will not be possible.*

As an extra insurance policy, coronagraphic observers may want to consider adding an extra orbit for each new pointing. Thermal changes in the telescope are likely to be significantly smaller in the second and subsequent orbits on a target than they are in the first orbit.

Coronagraphic observations requiring particular telescope orientations (e.g., positioning a companion or disk between diffraction spikes) are time-critical and must be described in the ‘Special Requirements’ section of a Phase I proposal (see [Section 9.3 of the Call for Proposals](#)).

STScI will provide standard calibration reference files, flat fields and darks, which will be available for calibration purposes. Contemporary reference files in support of coronagraphic observations are not solicited or normally approved for GO programs, but coronagraphic observers who can justify the need for contemporary calibration observations must include the additional orbit request in the Phase I proposal. Acquisition of bright targets for which an onboard ACQ with NICMOS will not be feasible requires the observer to obtain flat field observations to locate the coronagraphic hole. This implies adding one or more orbits to the total time requested. All calibration data regardless of the program are automatically made public.

---

## 6.3 The Visibility Period

The *visibility period* is the amount of unocculted time per orbit during which observations of a given target can be made. Table 6.1 gives the visibility period for fixed targets of given declination, for moving targets (assumed to be near the ecliptic plane), and for cases in which the special requirements **CVZ** (Section 2.3.1), **LOW Sky** (Section 8.15.12 of the [Call for Proposals](#)), and **SHADOW** (Section 8.15.12 of the [Call for Proposals](#)) are used. The visibilities listed in this table are appropriate for two-gyro mode.

The listed visibility time for the CVZ (96 minutes, i.e., the entire HST orbit) assumes that there are no SAA intersections in these orbits (see Section 2.3.2). This is the visibility time that you should use if you are planning CVZ observations, unless you know that you may have to observe in orbits that are SAA-impacted. In the latter case the visibility time is approximately 70 minutes per orbit. Note that CVZ orbital visibility should *not* be requested if there are special background emission or timing requirements (see Section 2.3.1).

### Visibility Period for Pure Parallel Observations

If you are proposing for Pure Parallel observations (see [Section 4.2.2 of the Call for Proposals](#)), then you may not know the prime target declinations. You should then use one of the following two options when planning your observations:

- Use the minimum allowed visibility period given your target selection criteria; e.g., if your requirement calls for fields around M31 (at a declination of 41 degrees), then use 53 minutes.
- Map out the exposures (plus overheads) you wish to obtain in an orbit for any legal visibility period (52–57 minutes). If you select this method, note that longer total exposure times typically have fewer opportunities to schedule.

Table 6.1: Orbit Visibility in Two-Gyro Mode.

Target	Declination (+/- degrees)	Visibility (minutes)	LOW visibility (minutes)	SHADOW visibility (minutes)
Moving	object near ecliptic plane	52	47	25
Fixed	0–5°	52	47	25
Fixed	5–15	52	47	25
Fixed	15–25°	53	48	25
Fixed	25–35°	53	48	25
Fixed	35–45°	53	48	25
Fixed	45–55°	54	45	25
Fixed	55–65°	54	45	25
Fixed	65–75°	55	43	25
Fixed	>75°	57	42	25
Any	Any CVZ declination	96	incompatible	incompatible

## 6.4 Acquisition Times and Instrument Overheads

You cannot use the entire target visibility time for actual science exposures, because of the required times for guide star acquisition, target acquisition, and SI overheads. The following subsections discuss the amounts of time that should be budgeted for these items; they are conservative approximations suitable for use in a Phase I proposal and may differ slightly from the numbers in the Instrument Handbooks.

### 6.4.1 Guide Star Acquisition Times

Table 6.2 summarizes the times required for guide star acquisitions. A normal guide star acquisition, required in the first orbit of every visit, takes 6 minutes. At the beginning of subsequent orbits in a multi-orbit visit, the required guide star *re*-acquisition takes 6 minutes. For CVZ observations guide star re-acquisitions are not required but, if an observation extends into SAA-impacted orbits (see Section 2.3.2), then guide star re-acquisitions will be necessary for those orbits.

Table 6.2: Guide Star Acquisition Times

Type of Acquisition	Time [min.]	Use
Guide star acquisition	6	First orbit of every visit. Applies also to Snapshot observations.
Guide star re-acquisition	6	All orbits of a multi-orbit visit, except the first orbit. May not be needed for CVZ observations (see text).

### 6.4.2 Target Acquisition Times

A target acquisition may be required after the guide star acquisition, depending on the SI used and pointing requirements. See Section 5.2 for a basic overview of target acquisitions. Consult the [HST Instrument Handbooks](#) (see Section 1.2) to determine whether a target acquisition is required for your particular observations, and which acquisition type is most appropriate. Then use Table 6.3 to determine the time that you need to budget for this.

Most **normal imaging** observations with ACS, NICMOS and WFPC2 do not require a target acquisition (assuming that the coordinates delivered by the observer in Phase II have sufficient accuracy of 1"-2"). However, for **coronagraphic imaging** with ACS/HRC or NICMOS/NIC2, you will need to perform a target acquisition to place the target behind the coronagraphic hole or feature. For ACS/HRC and NICMOS/NIC2, modes called ACQ are available. Note that the acquisition algorithms work differently for the different instruments, even if the modes have the same names.

**FGS observations** use a so-called spiral search location sequence for target acquisitions. This is part of a science observation, and the time required for the acquisition is considered to be part of the overhead associated with the science observation (see Table 6.6).

In exceptional cases you may require a **real-time interaction** with the telescope to perform a target acquisition (see Section 5.2.2). You will then first obtain an image which you should treat as a normal science exposure.

Then add 30 minutes for the real-time contact (which may overlap with the occultation interval at the end of an orbit).

Table 6.3: Target Acquisition Times

SI	Type of Acquisition	Time [min.]	Notes
ACS	ACQ	3.5	Used to position a target behind the HRC coronagraphic spot. For faint targets, add 2 times the acquisition exposure time.
NICMOS	ACQ	3.0	Used to position a target behind the NIC2 coronagraphic hole.
Any	Interactive	30	Used for real-time interactions with the telescope in very exceptional circumstances.

Generally, a target acquisition does not need to be repeated for separate orbits of a multi-orbit visit.

A target acquisition, if necessary, usually should be inserted in each visit. However, programs with multiple visits to the same target within a six-week period (start to finish) may be able to use the **reuse target offset** function (see Section 5.2.2). If reuse target offset is appropriate for your program, then you should include the full target acquisition sequence only in the initial visit; the subsequent visits will not need a full target acquisition. However, they will require a **Small Angle Maneuver (SAM)** (see Section 6.4.4) for the offset maneuver, and they usually require the final pickup stage used in the original acquisition. Please contact the [STScI Help Desk](#) (see Section 1.3) if you feel your program can benefit from this capability.

### 6.4.3 Instrument Overhead Times

There are a variety of instrument overheads associated with science exposures. Tables 6.4 to 6.12 summarize for each instrument how much time you need to budget for these overheads, depending on the observing strategy.

#### ACS

ACS overheads are listed in Tables 6.4 and 6.5.

The overhead per exposure is shorter if the exposure is the same as the previous exposure (i.e. the exposures use the same aperture and spectral element, but not necessarily the same exposure times). If you are unsure

whether the shorter overhead time is appropriate, then use the longer overhead time (to avoid a possible orbit allocation shortfall later).

Table 6.4: ACS Exposure Overheads

SI Mode	Time [min.] WFC	Time [min.] HRC	Time [min.] SBC	Notes
IMAGING/ SPECTROSCOPIC	4.0	2.5	1.7	A single exposure or the first exposure in a series of identical exposures.
IMAGING/ SPECTROSCOPIC	2.5	1.0	0.9	Subsequent exposures in an identical series of exposures.
IMAGING/ SPECTROSCOPIC	5.7	0	0	Additional overhead for subsequent exposures (except the last) in an identical series of exposures if the exposure time is less than 6 minutes.
SPECTROSCOPIC	N/A	8.5	N/A	Automatically executed (if AUTOIMAGE=YES) imaging exposure for prism spectroscopy (provides the image to co-locate the targets and their spectra; see the <a href="#">ACS Instrument Handbook</a> for details).
SPECTROSCOPIC	7	5.5	N/A	Automatically executed (if AUTOIMAGE=YES) imaging exposure for grism spectroscopy (provides the image to co-locate the targets and their spectra; see the <a href="#">ACS Instrument Handbook</a> for details).

Note that if AUTOIMAGE=NO is invoked and a different direct image is specified for the WFC or HRC spectroscopic calibration, and in all cases for the SBC calibration (for which there is no Autoimage due to the safety issue), these direct images must be included explicitly in the Observing Summary and the observing time (orbit) request of the Phase I proposal.

Table 6.5: ACS Miscellaneous Overheads

Type	Time [min.]
Overhead for switching from HRC to SBC in an orbit <sup>1</sup>	12.0

1. There is an additional 6 minutes overhead if the buffer is full or will be before the end of visibility. Switching from SBC to HRC within an orbit is not allowed. See the [ACS Instrument Handbook](#) for further details.

## FGS

FGS overheads are listed in Tables 6.6 and 6.7.

The total TRANS mode overhead consists of an acquisition overhead plus an overhead per scan. Hence, the total overhead depends on the number of scans obtained during a target visibility period. In Table 6.8 we list the

recommended number of scans as a function of target magnitude. The recommended *exposure* time is 40 seconds per scan (excluding overheads).

Table 6.6: FGS Exposure Overheads

SI Mode	Time [min.]	Notes
POS	1	if target magnitude $V < 14$
POS	2	if target magnitude $14 < V < 15$
POS	3	if target magnitude $15 < V < 16$
POS	4	if target magnitude $16 < V < 16.5$
POS	8	if target magnitude $V > 16.5$
TRANS	1	target acquisition (independent of target magnitude)
TRANS	0.2	overhead per scan (independent of target magnitude)

Table 6.7: FGS Miscellaneous Overheads

Type	Time [min.]
Instrument Setup, per orbit	4
Instrument Shutdown, per orbit	3

Table 6.8: Recommended number of FGS TRANS mode scans

V-magnitude	# scans
8-12	10
13-14	20
15	30
16	60

## NICMOS

A large number of different overheads exist for NICMOS observations, as listed in Tables 6.9 and 6.10, and discussed in detail (with examples) in Chapter 10 of the [NICMOS Instrument Handbook](#).



The overhead for the MULTIACCUM mode (the readout mode that proposers are encouraged to use whenever possible) is fixed. The overhead on the ACCUM mode is a function of the number of reads, NREAD, obtained at the beginning (and at the end) of an exposure. The range of allowed NREADs is 1 (default) to 25.

Table 6.9: NICMOS Exposure Overheads

SI Mode	Time	Notes
IMAGING/ SPECTROSCOPIC	4 sec	MULTIACCUM exposures
IMAGING/ SPECTROSCOPIC	7 + (NREAD x 0.6) sec	ACCUM exposures; NREAD=1-25

Table 6.10: NICMOS Miscellaneous Overheads

Type	Time [min.]
Instrument set-up at the beginning of an orbit	0.3
Filter change in the same camera	0.3
Overhead for switching from NIC1 to NIC2, or vice versa, in an orbit	1.4
Overhead for switching from NIC1 to NIC3 or vice versa, in an orbit	9.7
Overhead for switching from NIC2 to NIC3 or vice versa, in an orbit	4.8

## WFPC2

WFPC2 overheads are listed in Tables 6.11 and 6.12.

Exposures are usually split in two (CR-SPLIT) to allow for cosmic ray rejection (this is the default for exposure times longer than 10 minutes). If an exposure is CR-SPLIT, you should count it as a single exposure with a single (5 minute) overhead. For exposures that are not CR-SPLIT (the default for exposure times equal to or shorter than 10 minutes), use the ‘without CR-SPLIT’ overhead time.

An ‘efficiency’ overhead of 1 minute should be added to each orbit of WFPC2 imaging, which allows for scheduling flexibility during SAA-impacted HST orbits.

Table 6.11: WFPC2 Exposure Overheads

Mode	Time [min.]	Notes
IMAGING	3	Exposure without CR-SPLIT
IMAGING	5	CR-SPLIT exposure (i.e., two separate exposures and readouts)
IMAGING	2	Additional overhead for each exposure with the LRF (required for telescope repositioning).

Table 6.12: WFPC2 Miscellaneous Overheads

Type	Time [min.]
“Efficiency” overhead, per orbit	1

#### 6.4.4 Telescope Repositioning Overhead Times

Small Angle Maneuvers (SAMs) are changes in telescope pointing of less than 2 arcmin. Table 6.13 lists the overhead times for SAMs.

Table 6.13: Small Angle Maneuver Time

Step-size	SAM time [seconds]
0" < step-size < 1.25"	20
1.25" < step-size < 10"	30
10" < step-size < 28"	40
28" < step-size < 60"	50
60" < step-size < 2'	65

A “reuse target offset” visit (see Section 5.2.2 and Section 6.4.2) will require a SAM to be scheduled at the start of the first orbit. To allow for the offset adjustment, the SAM should be assumed to have a duration of 30 seconds.

Patterns (see Section 5.4) perform a series of SAMs. The timing and subsequent overheads depend on the size of the pattern. However, a simple estimate for the overhead time associated with a pattern is obtained by multiplying the number of points minus 1 times the overhead time for a single SAM (see Table 6.13) whose size matches the pattern spacing.

In general, undithered observations with the ACS CCD detectors will not be approved without strong justification that such is REQUIRED for the scientific objectives. Otherwise, hot pixels and other detector artifacts will compromise the program and the archival value of the data. Further details about the options and advantages of ACS patterns can be found in the [ACS Instrument Handbook](#), the [Phase II Proposal Instructions](#), and the [ACS Dither Web page](#).

## 6.5 Constructing Your Program

Your final step is to fit all science exposures and overheads into the visibility period of each orbit for all your visits. The better you can pack your orbits, the more efficient your proposal will be. For particularly complex programs, the APT phase II orbit planner can be used for assessing the orbit layout. Please contact [help@stsci.edu](mailto:help@stsci.edu) if you need assistance.

When placing the observations into orbits and visits, note that you cannot pause exposures across orbits. This means that if you have 20 minutes left in an orbit, you can insert only an exposure that takes 20 minutes or less (including overhead). If you wish to obtain a 30 minute exposure, then you can either put it all into the next orbit, or you can specify, for example, a 20 minute exposure at the end of the first orbit, and a second 10 minute exposure in the next orbit.

Table 6.14 shows, as an example, the layout of a visit with 2 orbits of spectroscopic observations that require a target acquisition, but no SAMs and no special calibration observations. For simplicity, overheads are shown to occur after each exposure; in reality some overheads occur before an exposure (e.g., a filter change) while others appear afterwards (e.g., read-out time).

Table 6.14: Example Visit

<b>Orbit 1</b>	Guide Star Acquisition	Target Acq.	Over-head.	Science Exp.	Over-head	Earth Occult.
<b>Orbit 2</b>	Guide Star Re-acquisition	Science Exp.	Over-head	Science Exp.	Over-head	Earth Occult.

More detailed examples for each of the SIs are given in Appendix A. Those examples are for common, simple uses of the instruments. For examples of more complicated uses and observing strategies, please consult the [HST Instruments Handbooks](#) (see Section 1.2).

### **Coordinated Parallel Observations**

If you have a program with coordinated parallel observations (see [Section 4.2.1 of the Call for Proposals](#)), then it should be fairly straightforward to lay out the parallel observations into orbits and visits. The primary observations determine the orbit and visit structure, and the coordinated parallels should conform to the visit structure of the primary observations.

# Data Processing and the HST Data Archive

In this chapter...

7.1 Routine Science Data Processing / 55

7.2 The HST Data Archive / 56

---

## 7.1 Routine Science Data Processing

Science data obtained with HST are sent to the TDRSS satellite system, from there to the TDRSS ground station at White Sands, New Mexico, then to the Sensor Data Processing Facility at Goddard Space Flight Center in Greenbelt, Maryland, and then finally to STScI. At STScI the production pipeline provides standard processing for data editing, calibration, and product generation. These functions, performed automatically, include the following:

- Reformatting and editing of data from spacecraft packet format to images and spectra.
- Performing standard calibrations (flat fields, wavelength calibrations, background subtraction, etc.) with currently available calibration files.
- Producing standard data output products (FITS files of raw and calibrated images, OMS [jitter and performance flags] files, and so on).

The standard calibrations performed on HST data, and the resulting output data products, are described in detail in the [HST Data Handbook](#). Note that, as of the summer of 2000, STScI no longer archives calibrated data, and as of early 2005, STScI no longer archives raw data; the production pipeline is run on-the-fly starting from the spacecraft packet format files, as described in Section 7.2.1.)

### 7.1.1 Space Telescope Science Data Analysis System (STSDAS)

STScI maintains a set of tools and support software used to calibrate and analyze HST data. The main component of this is the Space Telescope Science Data Analysis System (STSDAS), which is accompanied by TABLES, a set of tools for creating and manipulating tabular data, reading and writing FITS images and tables, and creating customized graphics. STSDAS and TABLES are layered onto the Image Reduction and Analysis Facility (IRAF) software from the National Optical Astronomy Observatories (NOAO). You must be running IRAF in order to run STSDAS and TABLES. STSDAS and TABLES are supported on a variety of platforms, although not all of the platforms that IRAF supports. STSDAS contains, among many other things, the same calibration software that is used by the HST data pipeline. HST observers can therefore recalibrate their data, examine intermediate calibration steps, and re-run the pipeline using different calibration switch settings and reference data. Detailed information on STSDAS and TABLES, including the actual software, is available from the [STSDAS Web page](#). Information about IRAF is available from the [IRAF Web page](#).

---

## 7.2 The HST Data Archive

All science and calibration data, along with a large fraction of the engineering data, are placed in the HST Data Archive. Science data become immediately available to a program's Principal Investigator and those designated by him/her. These data may be retrieved after the PI has registered as an archive user and are normally proprietary for a period of one year (see [Section 5.1 of the Call for Proposals](#) for information on data rights).

On average, the science data from HST flow through the production pipeline and into the Data Archive within one day after observation on the telescope. Some data may take as long as three to five days. The observer is notified by e-mail when the first datasets reach the archive and is provided with Web tools to track a visit's completeness and to retrieve the data generated by the pipeline. The time required for retrieving data from the Archive is typically a few hours. However, occasional software or system failures may lengthen the processing and retrieval times.

If you have strict scientific requirements for data receipt within days after execution, such as to provide pointing corrections for tightly scheduled visits, there are resource-intensive methods to expedite delivery of data. If you have such requirements, they must be stated in your proposal so that

the resource needs can be determined and reviewed (see [Section 9.3 of the Call for Proposals](#)).

As of June 1, 2006, the HST Archive contained over 790,000 individual observations. These observations, along with engineering and other supporting information, comprise over 28 Terabytes of data. About 120 new observations (and an average of 13 Gbytes of data) are archived every day. The heart of the Archive is the Data Archive and Distribution Service (DADS), hard disk arrays where the data is stored, a collection of magneto-optical disks for off-site back-up storage, databases that comprise the Archive catalog, and the hardware and software that support the ingest and distribution of HST data.

### 7.2.1 StarView and Web Access to the HST Data Archive

Most of the data in the HST Archive are public and may be retrieved by any user. The Archive can be accessed either through the [MAST Web page](#) or by using a special user interface called StarView. The Web interface can do simple searches by object name or location or by lists of names or locations, and it can retrieve data and calibration files. StarView is a JAVA-based tool that runs on most operating systems. It provides a wider range of options for searching the Archive, including the ability to create custom queries, and to cross-correlate lists of objects observed by HST. The [StarView Web page](#) provides information and instructions for downloading the StarView program. Updates on the HST Archive are provided in StarView and on the MAST Web site.

The MAST Web site and StarView allow you to preview most of the publicly available images and spectra. Both interfaces also offer integrated access to the [Digitized Sky Survey](#) (DSS) and allow the user to access the [Set of Identifications, Measurements and Bibliography for Astronomical Data](#) (SIMBAD) or [NASA/IPAC Extragalactic Database](#) (NED) to look up the coordinates of an object by name.

All WFPC2, ACS, STIS, and NICMOS data requested from the Archive will be reprocessed in the pipeline at the time of the request. This On-The-Fly Reprocessing (OTFR) takes the science data in spacecraft packet format and generates calibrated files. On-The-Fly Reprocessing prepares a new FITS file with each request, which allows a clean integration of new headers with updated keywords which are fully compatible with the latest version of the pipeline and calibration software. The Archive no longer saves the initial versions of the calibrated data, nor the initial version of the uncalibrated FITS data. DADS allows users to filter their retrievals to obtain only the files they need (as well as allowing secure ftp retrievals for most users and retrieval of compressed data.)

STScI maintains an “Archive Hotseat” to which all Archive-related questions, problems, or comments should be referred. The Archive Hotseat can be reached by email at [archive@stsci.edu](mailto:archive@stsci.edu) or by phone at 410-338-4547.



# Orbit Calculation Examples

In this appendix...

A.1 ACS / 59  
 A.2 FGS / 61  
 A.3 NICMOS / 63  
 A.4 WFPC2 / 64

Chapter 6 described the construction of an observing program and the calculation of the total orbit request for a Phase I proposal. As an illustration, this appendix contains some simple example orbit calculations for each of the science instruments (SIs) offered in Cycle 16. ■

## A.1 ACS

Suppose that you wish to use the ACS to observe a target at a declination of +35 degrees, so that there are 53 minutes of visibility time per orbit (see Table 6.1). Your desired exposures are listed in Table A.1, and the associated overheads are listed in Table A.2. In Table A.3 you can see how the observations fit into a total of 2 orbits.

Table A.1: ACS Example: Planned Exposures

Config	Mode	Spectral Element	Number of Exp	Time per Exp [min.]	Notes
ACS/WFC	IMAGING	F606W	4	8.3	Pattern (see Section 5.4) with an offset of 25" between positions
ACS/HRC	IMAGING	F814W	2	5	CR-SPLIT
ACS/HRC	IMAGING	F606W	2	6	CR-SPLIT
ACS/HRC	IMAGING	F435W	2	7	CR-SPLIT

Table A.2:ACS Example: Incurred Overheads

Overhead	Overhead Time [min.]	Notes	see Table
Guide star acquisition	6	First orbit in new visit	6.2
Guide star re-acquisition	6	Per orbit after first orbit	6.2
WFC exposure (first)	4	First exposure in a series of identical exposures	6.4
WFC exposure (not first)	2.5	Per exposure after the first exposure in a series	6.4
HRC exposure (first)	2.5	First exposure in a series of identical exposures	6.4
HRC exposure (not first)	1	Per exposure after the first exposure in a series	6.4
SAM of 25"	0.67	Small Angle Maneuver between positions in the pattern	6.13

Table A.3:ACS Example: Orbit Planning

Activity	Duration [min.]	Elapsed Time [min.]
<b>Orbit 1</b>		
Guide star acquisition	6	6
WFC/F606W Exp Time	4x8.3	39.2
WFC/F606W Overhead	4+(3x2.5)+(3x0.67)	52.7
Unused time	0.3	53
<b>Orbit 2</b>		
Guide star re-acquisition	6	6
HRC/F814W Exp Time	2x5	16
HRC/F814W Overhead	2.5+1	19.5
HRC/F606W Exp Time	2x6	31.5
HRC/F606W Overhead	2.5+1	35
HRC/F435W Exp Time	2x7	49
HRC/F435W Overhead	2.5+1	52.5
Unused time	0.5	53

## A.2 FGS

Suppose that you wish to use the FGS to observe a binary star named Binary01, as well as five reference stars ref1,.....,ref5. All stars are in the same FGS field of view, and can therefore be observed in one and the same visit (see Section 6.2.2). Stars ref4 and ref5 have magnitude  $V=14.6$ , and all the other targets have  $13.0 < V < 14.0$ . The targets have a declination of +42 degrees, so that there are 53 minutes of visibility time per orbit (see Table 6.1). To enable the removal of drift and jitter in the post observation analysis of the data, the binary is observed in POS mode several times (twice in our example) and the reference stars are each observed twice. Your desired exposures are listed in Table A.4, and the associated overheads are listed in Table A.5. In Table A.6 you can see how this fits into a total of 1 orbit.

Table A.4:FGS Example: Planned Exposures

Config	Mode	Spectral Element	Number of Exp	Time per Exp [min.]	Notes
FGS	POS	F583W	8	0.2	2 exposures of target Binary01, and 2 exposures for each of the targets ref1, ref2, and ref3
FGS	POS	F583W	4	0.7	2 exposures for each of the targets ref4 and ref5
FGS	TRANS	F583W	1	13.3	20 scans of 40 sec each (see Table 6.8) for Binary01

Table A.5:FGS Example: Incurred Overheads

Overhead	Overhead Time [min.]	Notes	see Table
Guide star acquisition	6	First orbit in new visit	6.2
POS	1	per exposure, $V < 14$	6.6
POS	2	per exposure, $14 < V < 15$	6.6
TRANS	1	per target	6.6
TRANS	0.2	per scan	6.6
Instrument Setup	4	once every orbit	6.7
Instrument Shutdown	3	once every orbit	6.7

Table A.6:FGS Example: Orbit Planning

Activity	Duration [min.]	Elapsed Time [min.]
<b>Orbit 1</b>		
Guide star acquisition	6	6
Instrument Setup	4	10
Binary01/POS mode Exp Time	0.2	10.2
Binary01/POS mode Overhead	1	11.2
ref1/POS mode Exp Time	0.2	11.4
ref1/POS mode Overhead	1	12.4
ref2/POS mode Exp Time	0.2	12.6
ref2/POS mode Overhead	1	13.6
ref3/POS mode Exp Time	0.2	13.8
ref3/POS mode Overhead	1	14.8
ref4/POS mode Exp Time	0.7	15.5
ref4/POS mode Overhead	2	17.5
ref5/POS mode Exp Time	0.7	18.2
ref5/POS mode Overhead	2	20.2
Binary01/POS mode Exp Time	0.2	20.4
Binary01/POS mode Overhead	1	21.4
ref1/POS mode Exp Time	0.2	21.6
ref1/POS mode Overhead	1	22.6
ref2/POS mode Exp Time	0.2	22.8
ref2/POS mode Overhead	1	23.8
ref3/POS mode Exp Time	0.2	24.0
ref3/POS mode Overhead	1	25.0
ref4/POS mode Exp Time	0.7	25.7
ref4/POS mode Overhead	2	27.7
ref5/POS mode Exp Time	0.7	28.4
ref5/POS mode Overhead	2	30.4
Binary01/POS mode Exp Time	0.2	30.6
Binary01/POS mode Overhead	1	31.6
Binary01/TRANS mode Exp Time	13.3	44.9
Binary01/TRANS mode Overhead	1+(20x0.2)	49.9
Instrument Shutdown	3	52.9
Unused	0.1	53.0

## A.3 NICMOS

Suppose that you wish to use the NICMOS to observe a target at a declination of  $-50$  degrees, so that there are 54 minutes of visibility time per orbit (see Table 6.1). Your desired exposures are listed in Table A.7, and the associated overheads are listed in Table A.8. In Table A.9 you can see how the observations fit into a total of 1 orbit.

Table A.7: NICMOS Example: Planned Exposures

Config	Mode	Spectral Element	Number of Exp	Time per Exp [min.]	Notes
NIC2	IMAGING	F110W	4	2.2	Pattern (see Section 5.4) of MULTIACCUM exposures with an offset of 1" between dither positions
NIC2	IMAGING	F160W	4	4	Pattern (see Section 5.4) of MULTIACCUM exposures with an offset of 1" between dither positions
NIC2	IMAGING	F222M	4	4	Pattern (see Section 5.4) of MULTIACCUM exposures with an offset of 1" between dither positions

Table A.8: NICMOS Example: Incurred Overheads

Overhead	Overhead Time [min.]	Notes	see Table
Guide star acquisition	6	First orbit in new visit	6.2
MULTIACCUM exposure	0.07		6.9
Instrument Setup	0.3	Beginning of each orbit	6.10
Filter change	0.3		6.10
SAM of 1"	0.33	Small Angle Maneuver between positions in the pattern	6.13

Table A.9: NICMOS Example: Orbit Planning

Activity	Duration [min.]	Elapsed Time [min.]
<b>Orbit 1</b>		
Guide star acquisition	6	6
Instrument Setup	0.3	6.3
F110W Exp Time	2.2	8.5
F160W Exp Time	4	12.5
F222M Exp Time	4	16.5
Overhead	$(3 \times 0.07) + (2 \times 0.3) + (1 \times 0.33)$	17.6
F110W Exp Time	2.2	19.8
F160W Exp Time	4	23.8
F222M Exp Time	4	27.8
Overhead	$(3 \times 0.07) + (3 \times 0.3) + (1 \times 0.33)$	29.3
F110W Exp Time	2.2	31.5
F160W Exp Time	4	35.5
F222M Exp Time	4	39.5
Overhead	$(3 \times 0.07) + (3 \times 0.3) + (1 \times 0.33)$	40.9
F110W Exp Time	2.2	43.1
F160W Exp Time	4	47.1
F222M Exp Time	4	51.1
Overhead	$(3 \times 0.07) + (3 \times 0.3) + (1 \times 0.33)$	52.6
Unused	1.4	54

## A.4 WFPC2

Suppose that you wish to use the WFPC2 to observe a target at a declination of  $-45$  degrees, so that there are 53 minutes of visibility time per orbit (see Table 6.1). Your desired exposures are listed in Table A.10 and the associated overheads are listed in Table A.11. In Table A.12 you can see how the observations fit into a total of 3 orbits.

Table A.10:WFPC2 Example: Planned Exposures

Config	Mode	Spectral Element	Num of Exp	Time per Exp [min.]	Notes
WFPC2	IMAGING	F814W	1	40	CR-SPLIT
WFPC2	IMAGING	F450W	1	40	CR-SPLIT
WFPC2	IMAGING	F555W	4	8	Pattern (see Section 5.4) with an offset of 1" between positions

Table A.11:WFPC2 Example: Incurred Overheads

Overhead	Overhead Time [min.]	Notes	see Table
Guide star acquisition	6	first orbit in new visit	6.2
Guide star re-acquisition	6	per orbit after first orbit	6.2
Exposure (CR-SPLIT)	5	per exposure (CR-SPLIT is default for >600s)	6.11
Exposure (no CR-SPLIT)	3	per exposure (no CR-SPLIT is default for <=600s)	6.11
Efficiency	1	per orbit	6.12
SAM of 1"	0.33	Small Angle Maneuver between positions in the pattern	6.13

Table A.12:WFPC2 Example: Orbit Planning

Activity	Duration [min.]	Elapsed Time [min.]
<b>Orbit 1</b>		
Guide star acquisition	6	6
F814W Exp Time	40	46
F814W Overhead	5	51
Efficiency Overhead	1	52
Unused	1	53
<b>Orbit 2</b>		
Guide star re-acquisition	6	6
F450W Exp Time	40	46
F450W Overhead	5	51
Efficiency Overhead	1	52
Unused	1	53
<b>Orbit 3</b>		
Guide star re-acquisition	6	6
F555W Exp Time	4x8	38
F555W Overhead	(4x3)+(3x0.33)	52
Efficiency Overhead	1	53
Unused	0	53





# Legacy Instruments

## In this appendix...

B.1 Space Telescope Imaging Spectrograph (STIS) / 67
B.2 Faint Object Camera (FOC) / 68
B.3 Faint Object Spectrograph (FOS) / 69
B.4 Goddard High Resolution Spectrograph (GHRS) / 70
B.5 High Speed Photometer (HSP) / 71
B.6 Wide Field and Planetary Camera 1 (WF/PC) / 71

Several instruments have been removed from HST after years of successful operation (see Section 2.1). The observations from these instruments in the HST Data Archive form a rich source of information for Archival Research. We therefore provide here a brief description of these instruments. Further details may be found in the most recent [HST Instruments Handbooks](#) for these instruments or in the [HST Data Handbook](#) (see Section 1.2).

---

## B.1 Space Telescope Imaging Spectrograph (STIS)

STIS was an extremely versatile instrument. It used two-dimensional detectors operating from the far-ultraviolet to the near-infrared (1150–11,000Å) in support of a broad range of spectroscopic capabilities. STIS was used to obtain spatially resolved, long-slit (or slitless) spectroscopy of the 1150–10,300Å range at low to medium spectral resolutions ( $R \sim 500$  to 17,000) with first-order gratings. Echelle spectroscopy at medium and high resolutions ( $R \sim 30,000$  and 110,000) covering broad spectral ranges of  $\Delta\lambda \sim 800\text{Å}$  and  $200\text{Å}$ , respectively, was available in the ultraviolet (1150–3100Å). STIS was also used for deep optical and solar-blind ultraviolet imaging.

The three 1024 x 1024 pixel detectors supporting spectroscopy and imaging applications were the following:

- A solar-blind CsI (FUV) Multi-Anode Microchannel Array (MAMA) with a plate scale of 0.024"/pixel and a 25" x 25" FOV which operated from 1150Å to 1700Å.
- A Cs<sub>2</sub>Te (NUV) MAMA with a plate scale of 0.024"/pixel and a 25" x 25" FOV operated from 1600Å to 3100Å.
- A CCD with a plate scale of 0.05"/pixel and a 52" x 52" FOV operated from ~ 2000Å to 11,000Å.

The MAMA detectors could be used in ACCUM or TIME-TAG modes, with the latter supporting time resolutions down to 125 micro-sec, and the CCD was able to cycle in ~ 20 sec when using small subarrays. The CCD and the MAMAs also provided coronagraphic spectroscopy in the visible and ultraviolet. Coronagraphic CCD imaging was also supported.

The STIS received between ~30% and 70% of the total observing time per HST Cycle during Cycles 7 through 12. The huge and diverse archive of STIS observations constitutes a unique source of high-resolution spectroscopic data in the ultraviolet and spatially-resolved spectroscopic data at ultraviolet and optical wavelengths.

A major closeout effort to improve the quality, accessibility, and homogeneity of STIS data is currently underway at STScI. Details on the closeout efforts are available at:

[http://www.stsci.edu/hst/stis/closeout\\_plan.html](http://www.stsci.edu/hst/stis/closeout_plan.html)

---

## B.2 Faint Object Camera (FOC)

The FOC was designed to provide high-resolution images of small fields. It consisted of two independent optical relays that magnified the input beam by a factor of four (f/96) and two (f/48). A variety of filters, prisms (for slitless spectroscopy), and polarizers could be placed in the optical beam. The f/48 relay also had a longslit spectrograph. The FOC photocathodes limited the wavelength range from 1200 to 6000Å.

When corrected by COSTAR, the field of view (FOV) and pixel size of the f/96 camera were 7" x 7" (512 x 512 format) and 0.014" x 0.014", respectively; a field of 14" x 14" could be used with the 512 x 1024 pixel format and a rectangular pixel size of 0.028" x 0.014". Without COSTAR in the beam, the corresponding parameters for the f/96 camera were: 11" x 11" FOV in the 512 x 512 format with pixel size 0.0223" x 0.0223", and full-format field of 22" x 22" with 0.0446" x 0.0223" pixels. The corresponding values for the (little used) f/48 camera were twice those of the f/96 camera.

The f/96 camera was the primary FOC imaging workhorse. High voltage instabilities limited the use of the f/48 relay to mainly long-slit spectroscopy after the installation of COSTAR.

Most of the FOC data in the archive are unique because the spatial resolution of the FOC is greater than that of any current (or planned) HST instrument. Also, the UV sensitivity was significantly higher than WFPC2, but less than STIS, although a larger variety of filters was available. Finally, the polarizers in the f/96 relay had very low instrumental polarization and excellent polarizing efficiencies.

A major reprocessing of the entire FOC science archive has been completed by ST-ECF, CADC, and STScI. This effort substantially improves the data quality and homogeneity. For more information about the reprocessed data, contact the Archive Hotseat [archive@stsci.edu](mailto:archive@stsci.edu). A similar reprocessing of the non-science data is currently underway. The science data can be retrieved currently through the High Level Science Product pages at MAST <http://archive.stsci.edu/hlsp/index.html>.

---

## B.3 Faint Object Spectrograph (FOS)

The FOS (now in the Smithsonian National Air and Space Museum in Washington, D.C.) performed low and moderate resolution spectroscopy ( $R \sim 250$  and  $1300$ ) in the wavelength range  $1150$  to  $8500\text{\AA}$ . A variety of apertures of different sizes and shapes were available which could optimize throughput and spectral or spatial resolution. Ultraviolet linear and circular spectropolarimetric capability was also available.

The low resolution mode had two gratings and a prism, and the  $R = 1300$  mode had six gratings to cover the entire spectral range. The photon-counting detectors consisted of two 512-element Digicons, one which operated from  $1150$  to  $5500\text{\AA}$  (FOS/BLUE), and the other from  $1620$  to  $8500\text{\AA}$  (FOS/RED).

Most FOS data were acquired in accumulation and rapid-readout modes; periodic and image modes were used infrequently. Time resolutions as short as  $30$  msec were feasible. The electron image was magnetically stepped through a programmed pattern during the observations which provided for oversampling, compensation for sensitivity variations along the Digicon array, sky measures and/or measurement of orthogonally polarized spectra. Normally, data were read out in intervals that were short compared to the exposure time.

The FOS received about 20–25% of the total HST observing time over Cycles 1–6, studying a large and diverse range of science topics. Due to the polarimetric and large dynamic range capabilities, a substantial fraction of these data is and will remain unique.

A major reprocessing of the entire FOS archive, which has substantially improved the data quality and homogeneity, has been completed at the Space Telescope-European Coordinating Facility. Contact the Archive Hotseat at [archive@stsci.edu](mailto:archive@stsci.edu) if you are interested in obtaining the reprocessed data.

---

## B.4 Goddard High Resolution Spectrograph (GHRS)

The GHRS had two, 500-element Digicon detectors, which provided sensitivity from 1100 to 1900Å (Side 1—solar blind) and 1150 to 3200Å (Side 2); these detectors offered photon-noise limited data if an observing strategy was undertaken to map out photocathode response irregularities with the FP-SPLIT option. Signal-to-noise ratios of 100 or more were routinely achieved, and upwards of 1000 on occasion.

The GHRS modes included a first order grating covering 1100–1900Å at  $R \sim 2,500$  (285Å bandpass), four first order holographic gratings with very low scattered light covering 1150–3200Å at  $R \sim 25,000$  (27–45Å bandpass), and cross-dispersed echelles at  $R \sim 80,000$  over 1150–3200Å (6–15Å bandpass).

The GHRS had two apertures: the 2.0" Large Science Aperture (LSA), and 0.25" Small Science Aperture (SSA); post-COSTAR the aperture projections were reduced to 1.74" and 0.22", respectively. The SSA projected to one resolution element; thus, even pre-COSTAR data taken with this aperture had the designed spectral resolution, albeit at reduced throughput.

Some data were acquired at time resolutions as short as 50 milli-seconds in a Rapid Readout mode. Most observations were acquired in accumulation mode, which provided for oversampling, compensation for sensitivity variations along the Digicon array, and simultaneous monitoring of detector backgrounds. Routine observations of the onboard Pt-Ne emission line lamp provided data with well calibrated wavelengths.

The GHRS received about 20–25% of the total HST observing time over Cycles 1 through 6, resulting in a large and diverse range of high quality

science data. Due to the high signal-to-noise ratio and large dynamic range capabilities in the far ultraviolet, much of this data is unique.

A major reprocessing of the entire GHRS science archive has been completed by ST-ECF, CADC, and STScI. This effort substantially improves the data quality and homogeneity. A similar reprocessing of the non-science data is currently underway. Contact the Archive Hotseat at [archive@stsci.edu](mailto:archive@stsci.edu) if you are interested in obtaining the reprocessed data. The science data can be retrieved currently through the [High Level Science Products](#) page at MAST.

---

## B.5 High Speed Photometer (HSP)

The HSP was designed to take advantage of the lack of atmospheric scintillation for a telescope in orbit, as well as to provide good ultraviolet performance. Integrations as short as 10  $\mu$ s were possible over a broad wavelength range (1200 to 8000 $\text{\AA}$ ), and polarimetry was also possible. Observations were carried out through aperture diameters of 1.0" with the visual and ultraviolet detectors, and 0.65" with the polarimetry detector.

HSP had a large variety of fixed aperture/filter combinations distributed in the focal plane; selection was accomplished by moving the telescope so as to place the target in the desired aperture behind the desired filter.

The HSP detectors consisted of four image-dissector tubes and one photomultiplier tube. A variety of ultraviolet and visual filters and polarizers was available. This instrument was used for only a relatively small fraction (5%) of HST observing in Cycles 1 to 3, since the HSP science program was among the more severely compromised by spherical aberration. Only limited instrument expertise is available at STScI in support of HSP Archival Research. The extremely high speed with which some HSP data was acquired remains unmatched by past, current, or planned HST capabilities.

---

## B.6 Wide Field and Planetary Camera 1 (WF/PC)

The WF/PC had two configurations; in both, the FOV was covered by a mosaic of four charge-coupled devices (CCDs). Each CCD had 800  $\times$  800 pixels and was sensitive from 1150 to 11,000 $\text{\AA}$ . However, internal contaminants on the camera optics limited normal operation to the range from 2840 to 11,000 $\text{\AA}$ .

In the Wide Field Camera (low-resolution) configuration, the FOV was 2.6' x 2.6', with a pixel size of 0.10". In the Planetary Camera (high-resolution) configuration, the FOV was 1.1' x 1.1' and the pixel size was 0.043". A variety of filters was available. The WF/PC received about 40% of the observing time on HST in Cycles 1 to 3, resulting in a large and diverse range of science data. All WF/PC data were severely affected by the spherical aberration. Unique and valuable data exist in the archive, but in terms of photometric accuracy, and especially image quality, data taken after the first servicing mission with (e.g., with the WFPC2) are superior.

# Glossary of Acronyms and Abbreviations

ACQ	Acquisition
ACS	Advanced Camera for Surveys
APT	Astronomer's Proposal Tool
BOP	Bright Object Protection
CADC	Canadian Astronomy Data Centre
CCD	Charge-Coupled Device
COS	Cosmic Origins Spectrograph
COSTAR	Corrective Optics Space Telescope Axial Replacement
CTE	Charge Transfer Efficiency
CVZ	Continuous Viewing Zone
DADS	Data Archive and Distribution System
DD	Director's Discretionary
DSS	Digitized Sky Survey
ESA	European Space Agency
ETC	Exposure Time Calculator
FGS	Fine Guidance Sensor(s)
FITS	Flexible Image Transport System
FOC	Faint Object Camera
FOS	Faint Object Spectrograph
FOV	Field of View
FUV	Far Ultraviolet

GHRS	Goddard High Resolution Spectrograph
GO	General Observer
GSC	Guide Star Catalog
GSFC	Goddard Space Flight Center
GTO	Guaranteed Time Observer
HLSP	High Level Science Products
HRC	High Resolution Channel
HSP	High Speed Photometer
HST	Hubble Space Telescope
HTML	Hyper Text Markup Language
IFOV	Instantaneous Field of View
IRAF	Image Reduction and Analysis Facility
LRF	Linear Ramp Filter
MAMA	Multi-Anode Microchannel Array
mas	milli arcsecond
MAST	Multimission Archive at STScI
NASA	National Aeronautics and Space Administration
NED	NASA/IPAC Extragalactic Database
NCS	NICMOS Cooling System
NICMOS	Near Infrared Camera and Multi-Object Spectrometer
NOAO	National Optical Astronomy Observatories
NUV	Near Ultraviolet
OMS	Observatory Monitoring System
OTA	Optical Telescope Assembly
OTFR	On The Fly Reprocessing
PAM	Pupil Alignment Mechanism
PC	Planetary Camera
PCS	Pointing Control System
PDF	Portable Document Format
PI	Principal Investigator
POS	Position Mode
PSF	Point Spread Function
SAA	South Atlantic Anomaly



SAM	Small Angle Maneuver
SBC	Solar Blind Channel
SI	Scientific Instrument
SIMBAD	Set of Identifications, Measurements and Bibliography for Astronomical Data
SM	Servicing Mission
SSM	Support Systems Module
SSR	Solid State Recorder
ST-ECF	Space Telescope - European Coordinating Facility
STIS	Space Telescope Imaging Spectrograph
STOCC	Space Telescope Operations Control Center
STScI	Space Telescope Science Institute
STSDAS	Space Telescope Science Data Analysis Software
TDRSS	Tracking and Data Relay Satellite System
TRANS	Transfer Mode
UV	Ultraviolet
VIK	Voltage/Temperature Improvement Kit
VTT	Visual Target Tuner
WFC	Wide Field Camera (on WFPC2) or Wide Field Channel (on ACS)
WFC3	Wide Field Camera 3
WF/PC	Wide Field and Planetary Camera 1
WFPC2	Wide Field and Planetary Camera 2



# Internet Links

## **ACS Dither Web Page**

<http://www.stsci.edu/hst/acs/proposing/dither>

## **ACS Instrument**

<http://www.stsci.edu/hst/acs/>

## **ACS Instrument Handbook**

<http://www.stsci.edu/hst/acs/documents/handbooks/cycle16/cover.html>

## **ACS Software Tools**

<http://www.stsci.edu/hst/acs/software>

## **Astronomer's Proposal Tool (APT)**

<http://apt.stsci.edu/>

## **Canadian Astronomy Data Centre**

<http://cadwww.hia.nrc.ca/>

## **COS Instrument Mini Handbook**

[http://www.stsci.edu/hst/cos/documents/handbooks/current/cos\\_cover.html](http://www.stsci.edu/hst/cos/documents/handbooks/current/cos_cover.html)

## **Cycle 16 Announcement Web Page**

<http://www.stsci.edu/hst/proposing/docs/cycle16announce>

## **Cycle 16 Call for Proposals**

[http://www.stsci.edu/hst/proposing/documents/cp/cp\\_cover.html](http://www.stsci.edu/hst/proposing/documents/cp/cp_cover.html)

## **Digitized Sky Survey (DSS)**

<http://archive.stsci.edu/dss/>

## **Fine Guidance Sensor Instrument**

<http://www.stsci.edu/hst/fgs/>

### **Fine Guidance Sensor Instrument Handbook**

<http://www.stsci.edu/hst/fgs/documents/instrumenthandbook>

### **High Level Science Products**

<http://archive.stsci.edu/hlsp/index.html>

### **HST Data Handbook**

[http://www.stsci.edu/hst/HST\\_overview/documents/datahandbook/](http://www.stsci.edu/hst/HST_overview/documents/datahandbook/)

### **HST Dither Handbook**

[http://www.stsci.edu/hst/HST\\_overview/documents/dither\\_handbook](http://www.stsci.edu/hst/HST_overview/documents/dither_handbook)

### **HST Instrument Handbooks**

[http://www.stsci.edu/hst/HST\\_overview/documents](http://www.stsci.edu/hst/HST_overview/documents)

### **HST Science Instruments**

[http://www.stsci.edu/hst/HST\\_overview/instruments](http://www.stsci.edu/hst/HST_overview/instruments)

### **HST Two-Gyro Handbook**

[http://www.stsci.edu/hst/HST\\_overview/TwoGyroMode/handbook/cover.html](http://www.stsci.edu/hst/HST_overview/TwoGyroMode/handbook/cover.html)

### **Image Reduction and Analysis Facility (IRAF)**

<http://iraf.noao.edu/>

### **MultiDrizzle**

<http://stsdas.stsci.edu/pydrizzle/multidrizzle/>

### **Multimission Archive Web Page (MAST)**

<http://archive.stsci.edu/>

### **NASA/IPAC Extragalactic Database (NED)**

<http://nedwww.ipac.caltech.edu/>

### **NICMOS Exposure Time Calculator**

[http://www.stsci.edu/hst/nicmos/tools/New\\_APT\\_ETC](http://www.stsci.edu/hst/nicmos/tools/New_APT_ETC)

### **NICMOS Instrument**

<http://www.stsci.edu/hst/nicmos/>

### **NICMOS Instrument Handbook**

[http://www.stsci.edu/hst/nicmos/documents/handbooks/current\\_NEW/cover.html](http://www.stsci.edu/hst/nicmos/documents/handbooks/current_NEW/cover.html)

### **NICMOS Software Tools**

<http://www.stsci.edu/hst/nicmos/tools>

**Phase I Proposal Roadmap** ■

<http://apst.stsci.edu/apt/external/help/roadmap1.html>

**Phase II Program Preparation** ■

<http://www.stsci.edu/hst/programs>

**PyRAF**

[http://www.stsci.edu/resources/software\\_hardware/pyraf](http://www.stsci.edu/resources/software_hardware/pyraf)

**Set of Identifications, Measurements and Bibliography for Astronomical Data (SIMBAD)**

<http://simbad.u-strasbg.fr/Simbad>

**Space Telescope - European Coordinating Facility**

<http://www.stecf.org/>

**Space Telescope Science Data Analysis Software (STSDAS)** ■

[http://www.stsci.edu/resources/software\\_hardware/stsdas](http://www.stsci.edu/resources/software_hardware/stsdas)

**Space Telescope Science Institute**

<http://www.stsci.edu/>

**StarView** ■

<http://starview.stsci.edu/>

**STIS Instrument** ■

<http://www.stsci.edu/hst/stis/>

**STIS Instrument Handbook**

[http://www.stsci.edu/hst/stis/documents/handbooks/currentIHB/stis\\_ihbTOC.html](http://www.stsci.edu/hst/stis/documents/handbooks/currentIHB/stis_ihbTOC.html)

**TinyTim** ■

<http://www.stsci.edu/software/tinytim/>

**Two-Gyro Science Mode** ■

[http://www.stsci.edu/hst/HST\\_overview/TwoGyroMode](http://www.stsci.edu/hst/HST_overview/TwoGyroMode)

**Two-Gyro Science Mode Handbook**

[http://www.stsci.edu/hst/HST\\_overview/TwoGyroMode/handbook/cover.html](http://www.stsci.edu/hst/HST_overview/TwoGyroMode/handbook/cover.html)

**Visit Size Recommendations**

<http://www.stsci.edu/hst/programs/recommendations>

**WFC3 Instrument Mini Handbook**

[http://www.stsci.edu/hst/wfc3/documents/handbook/cycle13/wfc3\\_cy13TOC.html](http://www.stsci.edu/hst/wfc3/documents/handbook/cycle13/wfc3_cy13TOC.html) ■

**WFPC2 Instrument**

<http://www.stsci.edu/hst/wfpc2/>

**WFPC2 Instrument Handbook**

[http://www.stsci.edu/hst/wfpc2/documents/wfpc2\\_hand.html](http://www.stsci.edu/hst/wfpc2/documents/wfpc2_hand.html)